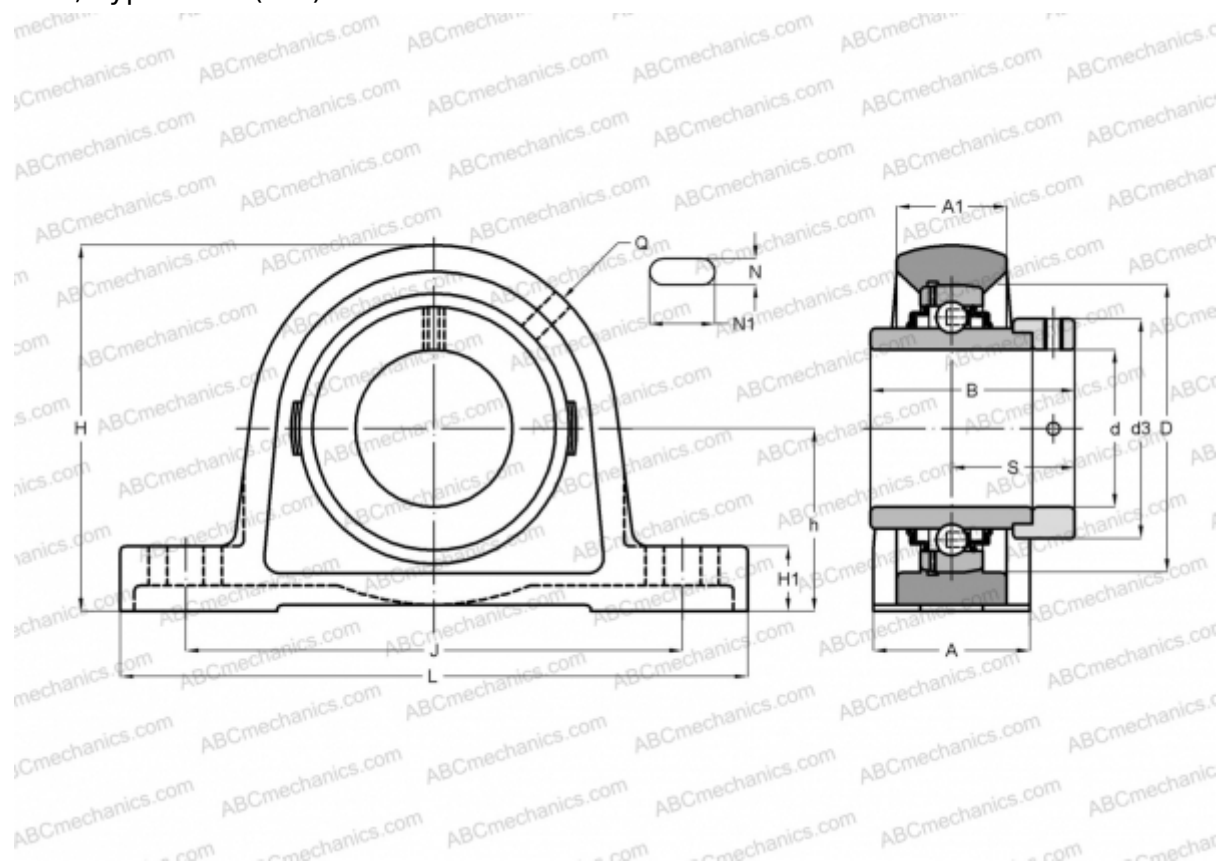


RASE17 INA

Ball bearing units

TYPE: Housing units, Plummer block, Cast iron housing, Radial insert ball bearing with eccentric locking collar, Type RASE (INA)



Technical specification

DIMENSIONS, MM

d	17,000
D	40,000
B	37,400
L	125,000
H	57,000
A	30,000
J	95,000
A1	18,000
H1	10,000
N	11,000
N1	19,000
S	23,400
d3	28,000
h	30,200
Q	M6

WEIGHT, KG

0,500

Bearing

GE17-KRR-B

Housing

GG.ASE03

MANUFACTURER

[INA](#)

CALCULATION DATA

Basic dynamic load rating, C	9,800 kN
Basic static load rating, Co	4,750 kN