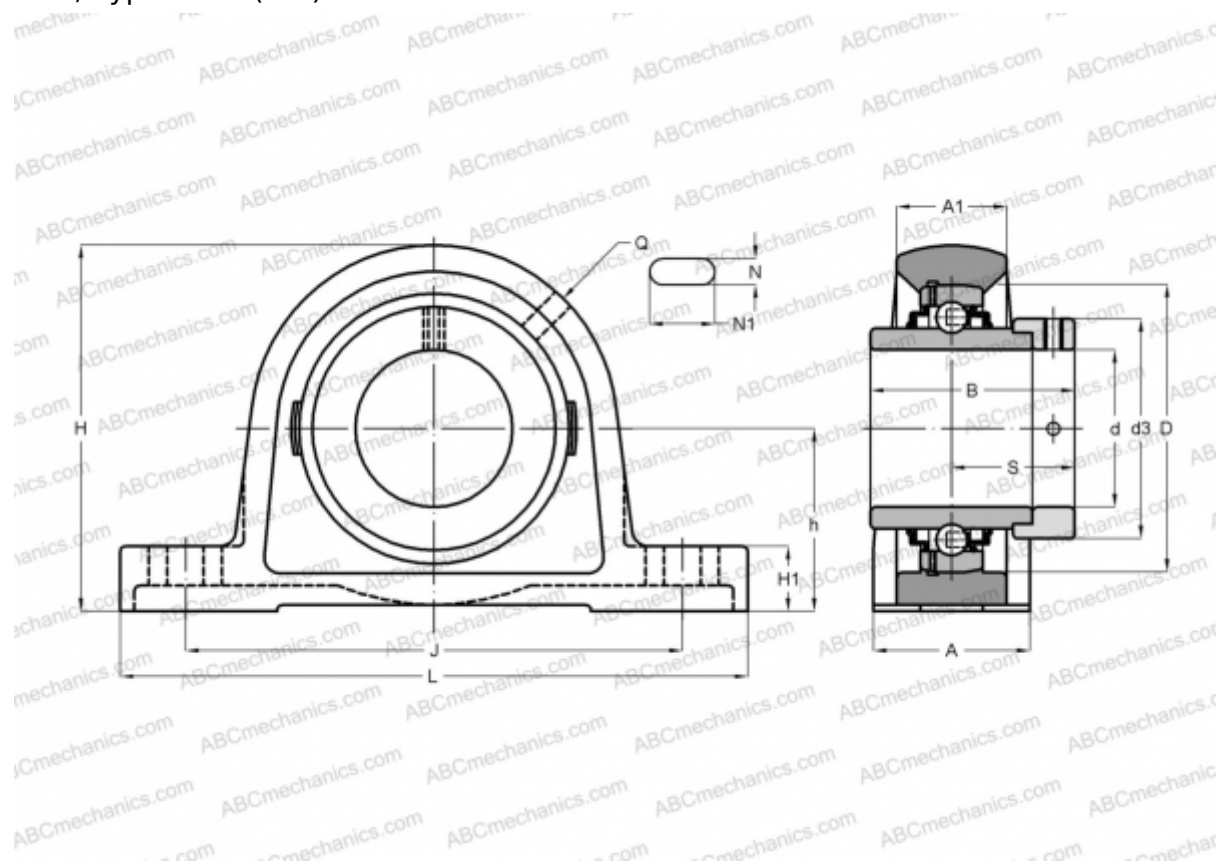


RASE45 INA

Ball bearing units

TYPE: Housing units, Plummer block, Cast iron housing, Radial insert ball bearing with eccentric locking collar, Type RASE (INA)



Technical specification

DIMENSIONS, MM

d	45,000
D	85,000
B	56,500
L	192,000
H	107,000
A	48,000
J	150,000
A1	32,000
H1	21,500
N	14,000
N1	29,000
S	35,100
d3	63,000
h	54,000
Q	Rp1/8

WEIGHT, KG

2,280

Bearing

GE45-KRR-B

Housing

GG.ASE09

MANUFACTURER

[INA](#)

CALCULATION DATA

Basic dynamic load rating, C	32,500 kN
Basic static load rating, Co	20,400 kN