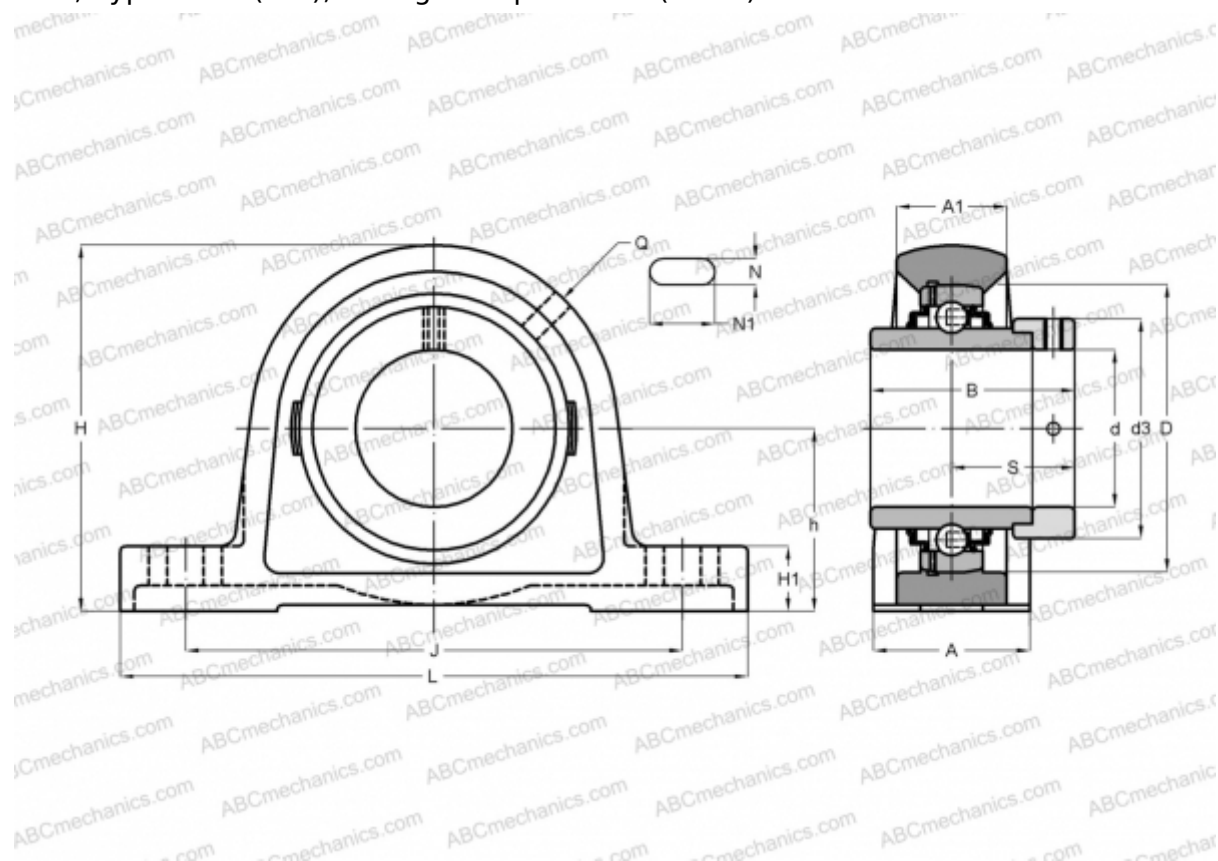


RASE20-FA164 INA

Ball bearing units

TYPE: Housing units, Plummer block, Cast iron housing, Radial insert ball bearing with eccentric locking collar, Type RASE (INA), for high temperatures (+250)



Technical specification

DIMENSIONS, MM

d	20,000
D	47,000
B	43,700
L	130,000
H	64,000
A	32,000
J	97,000
A1	19,000
H1	14,500
N	11,000
N1	19,000
S	26,600
d3	33,000
h	33,300
Q	Rp1/8

WEIGHT, KG

0,640

Bearing

GE20-KRR-B-

Housing

GG.ASE04-E-N

MANUFACTURER

[INA](#)

CALCULATION DATA

Basic dynamic load rating, C	12,800 kN
Basic static load rating, Co	6,600 kN
Operating temperature max	250 °C