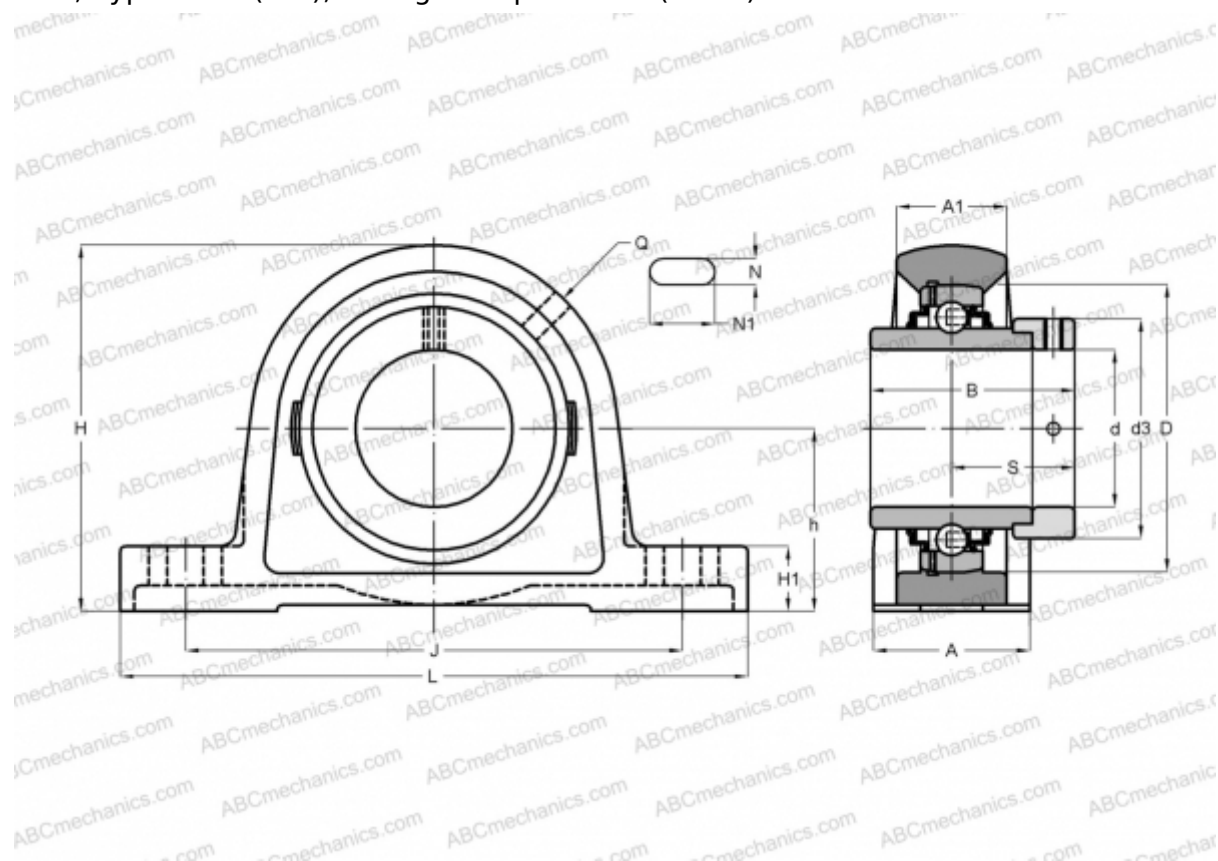


RASE25-FA164 INA

Ball bearing units

TYPE: Housing units, Plummer block, Cast iron housing, Radial insert ball bearing with eccentric locking collar, Type RASE (INA), for high temperatures (+250)



Technical specification

DIMENSIONS, MM

d	25,000
D	52,000
B	44,500
L	130,000
H	70,000
A	36,000
J	103,000
A1	21,000
H1	14,500
N	11,000
N1	19,000
S	27,000
d3	37,500
h	36,500
Q	Rp1/8

WEIGHT, KG

0,750

Bearing

GE25-KRR-B-

Housing

GG.ASE05-N

MANUFACTURER

[INA](#)

CALCULATION DATA

Basic dynamic load rating, C	14,000 kN
Basic static load rating, Co	7,800 kN
Operating temperature max	250 °C