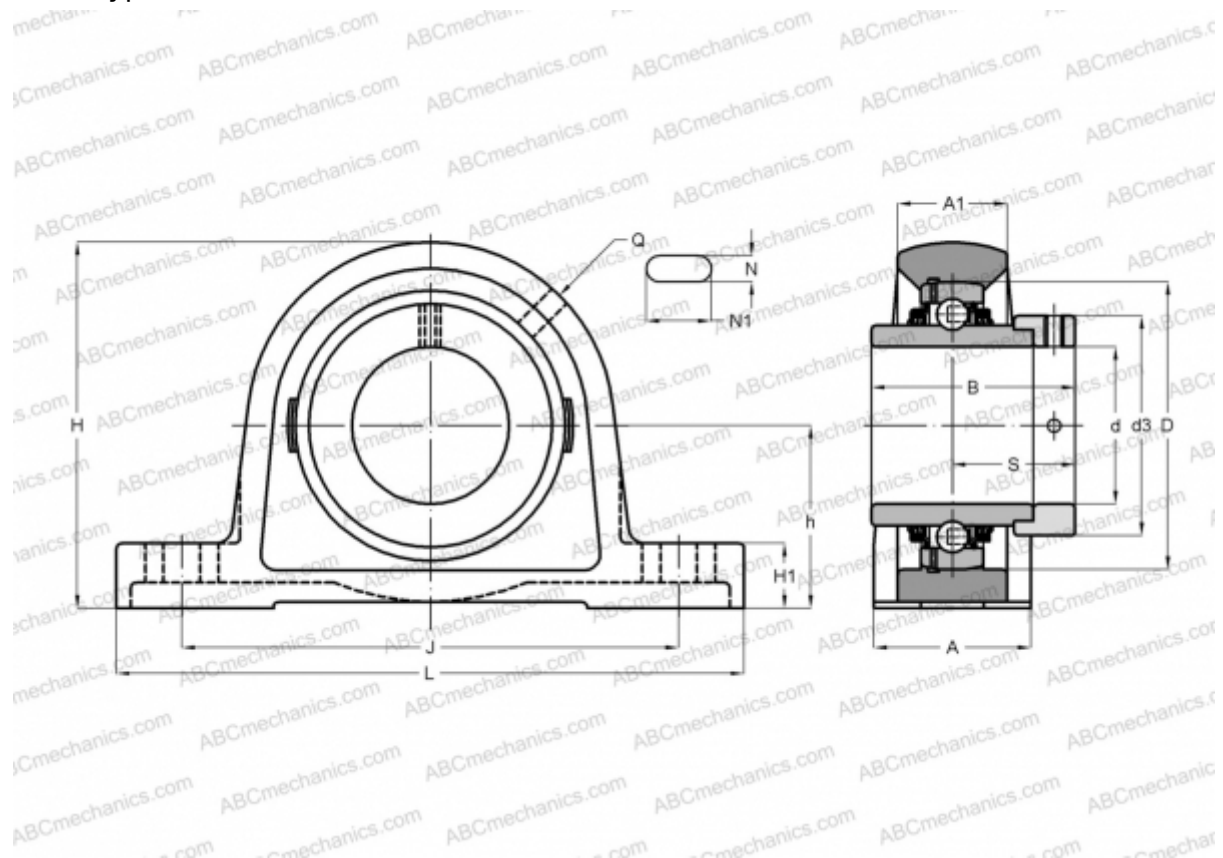


TASE65-214 INA

Ball bearing units

TYPE: Housing units, Plummer block, Cast iron housing, Radial insert ball bearing with eccentric locking collar, Type TASE (INA)



Technical specification

DIMENSIONS, MM

d	65,000
D	125,000
B	66,000
L	260,000
H	156,000
A	65,000
J	203,000
A1	44,000
H1	27,500
N	22,000
N1	28,000
S	44,600
d3	96,000
h	79,400
Q	Rp1/8

WEIGHT, KG

Bearing	6,410
Housing	GE65-214-KTT- GG.ASE14

MANUFACTURER

[INA](#)

CALCULATION DATA

Basic dynamic load rating, C	62,000 kN
Basic static load rating, Co	44,000 kN