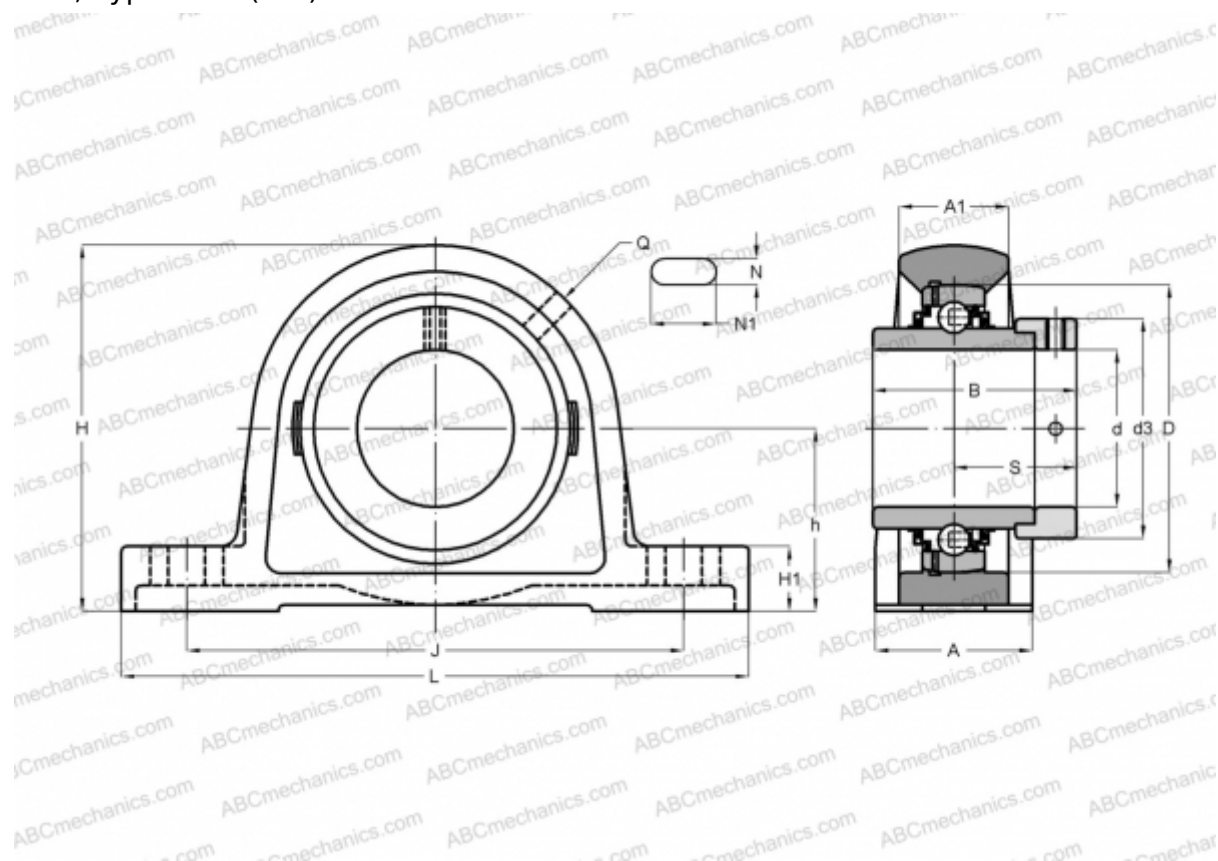


## LASE35-N INA

Ball bearing units

TYPE: Housing units, Plummer block, Cast iron housing, Radial insert ball bearing with eccentric locking collar, Type LASE (INA)



### Technical specification

#### DIMENSIONS, MM

d	35,000
D	72,000
B	51,300
L	163,000
H	93,000
A	45,000
J	126,000
A1	27,000
H1	19,000
N	14,000
N1	21,000
S	32,500
d3	51,000
h	47,600
Q	Rp1/8

Bearing	GE35-KLL-B
Housing	GG.ASE07-N
Protective cover	KASK07

#### MANUFACTURER

[INA](#)

#### CALCULATION DATA

Basic dynamic load rating, C	25,500 kN
Basic static load rating, Co	15,300 kN