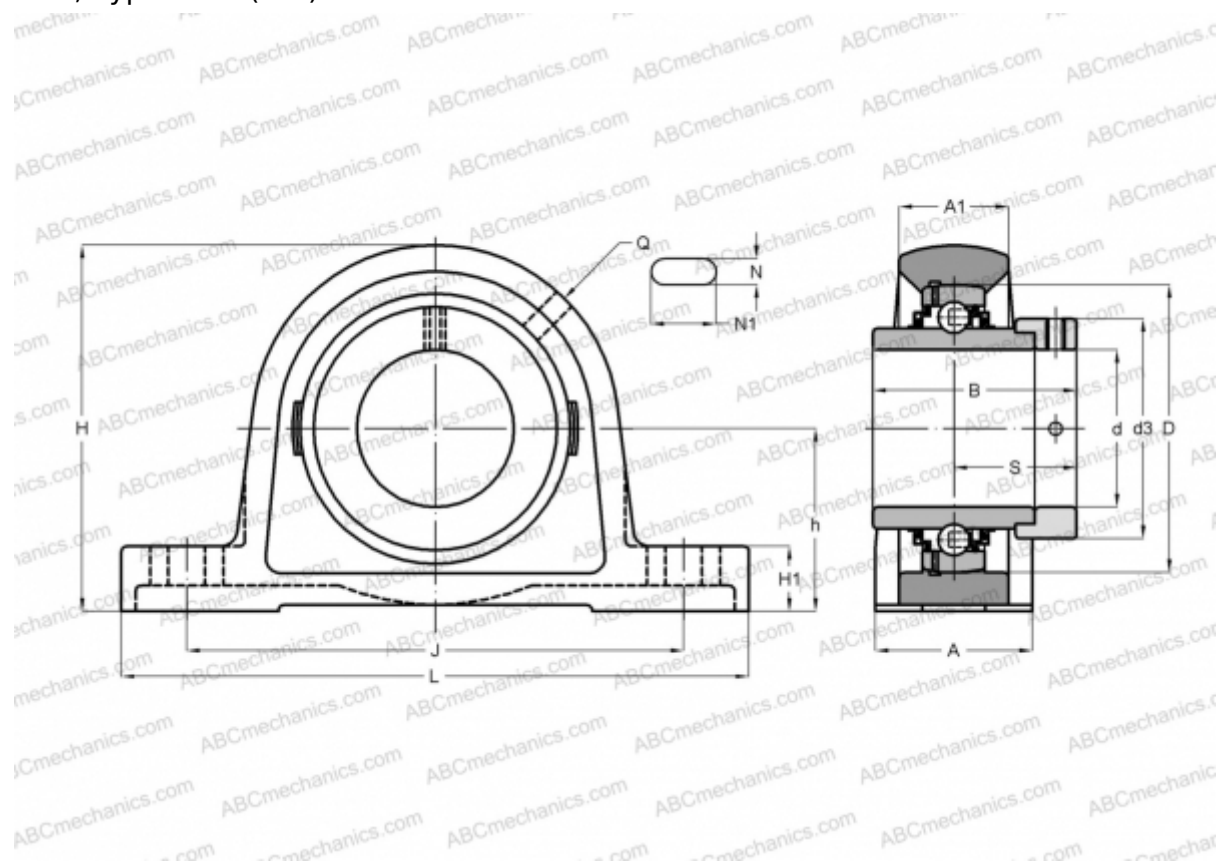


LASE40-N INA

Ball bearing units

TYPE: Housing units, Plummer block, Cast iron housing, Radial insert ball bearing with eccentric locking collar, Type LASE (INA)



Technical specification

DIMENSIONS, MM

d	40,000
D	85,000
B	56,500
L	179,000
H	99,000
A	48,000
J	138,000
A1	30,000
H1	19,000
N	14,000
N1	26,000
S	35,100
d3	58,000
h	49,200
Q	Rp1/8

Bearing	GE40-KLL-B
Housing	GG.ASE/AK08-
Protective cover	KASK08

MANUFACTURER

[INA](#)

CALCULATION DATA

Basic dynamic load rating, C	32,500 kN
Basic static load rating, Co	19,800 kN