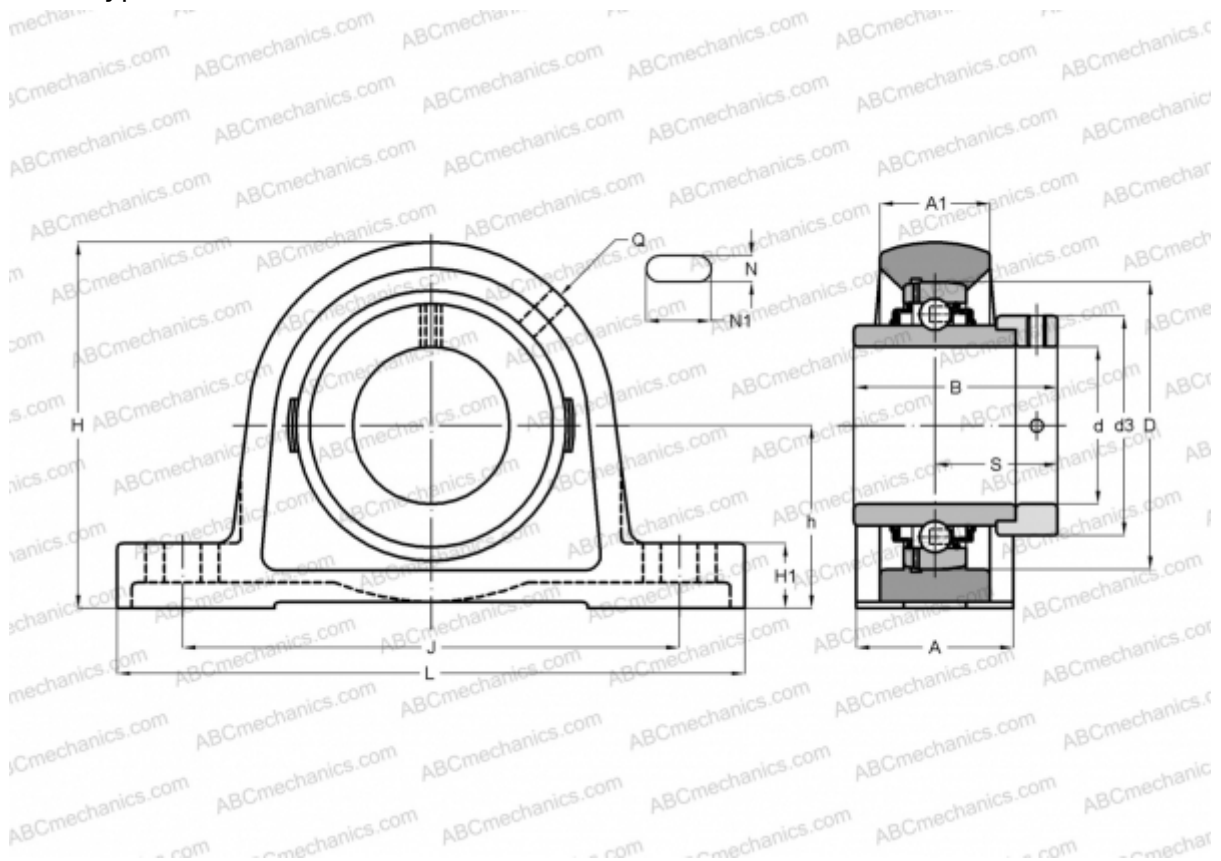


RSAO60 INA

Ball bearing units

TYPE: Housing units, Plummer block, Cast iron housing, Radial insert ball bearing with eccentric locking collar, Type RSAO (INA)



Technical specification

DIMENSIONS, MM

d	60,000
D	130,000
B	68,400
L	330,000
H	165,000
A	85,000
J	250,000
A1	46,000
H1	32,000
N	25,000
N1	38,000
S	45,400
d3	89,000
h	85,000
Q	Rp1/8

WEIGHT, KG

	9,000
Bearing	GNE60-KRR-B
Housing	GG.SAO12

MANUFACTURER

[INA](#)

CALCULATION DATA

Basic dynamic load rating, C	82,000 kN
Basic static load rating, Co	52,000 kN