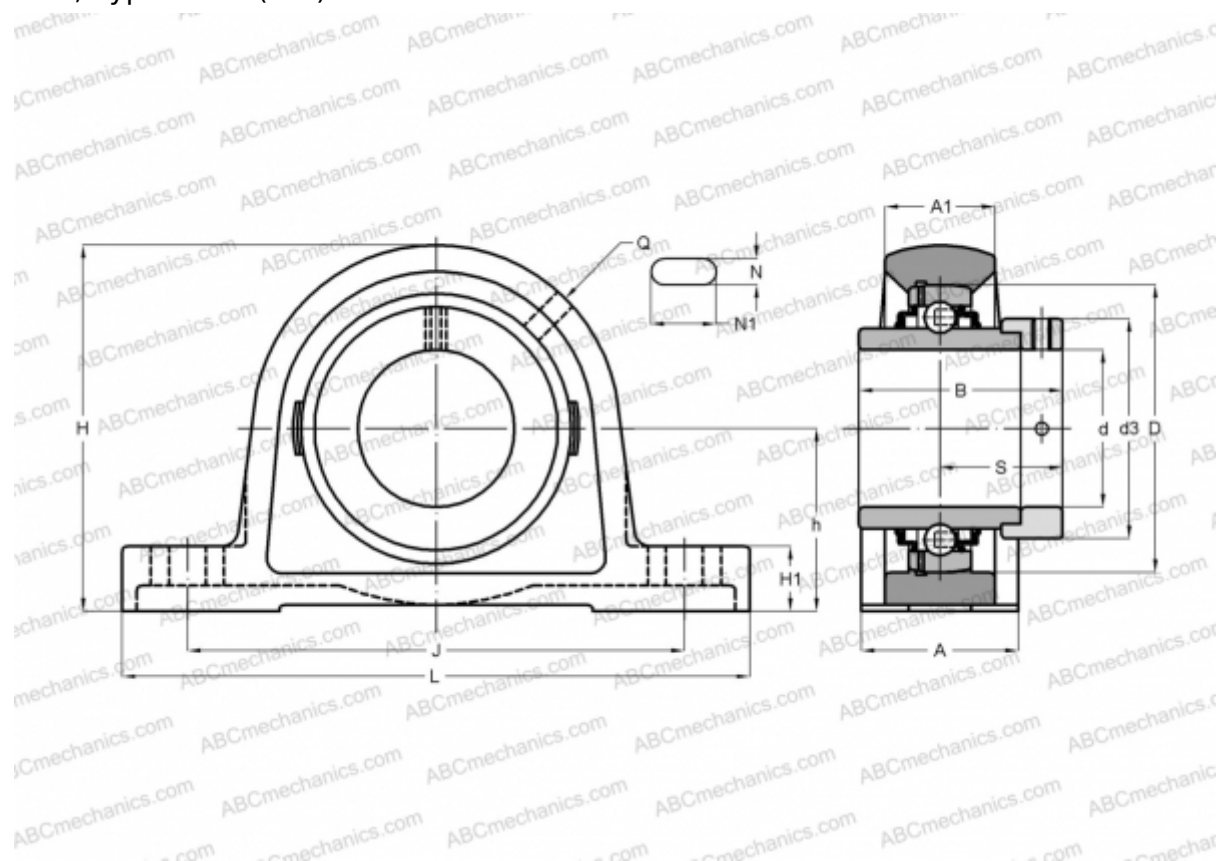


RSAO70 INA

Ball bearing units

TYPE: Housing units, Plummer block, Cast iron housing, Radial insert ball bearing with eccentric locking collar, Type RSAO (INA)



Technical specification

DIMENSIONS, MM

d	70,000
D	150,000
B	75,500
L	360,000
H	187,000
A	90,000
J	282,000
A1	54,000
H1	35,000
N	27,000
N1	42,000
S	49,400
d3	102,000
h	95,000
Q	Rp1/8

WEIGHT, KG

11,000

Bearing

GNE70-KRR-B

Housing

GG.ASE14

MANUFACTURER

[INA](#)

CALCULATION DATA

Basic dynamic load rating, C	104,000 kN
Basic static load rating, Co	68,000 kN