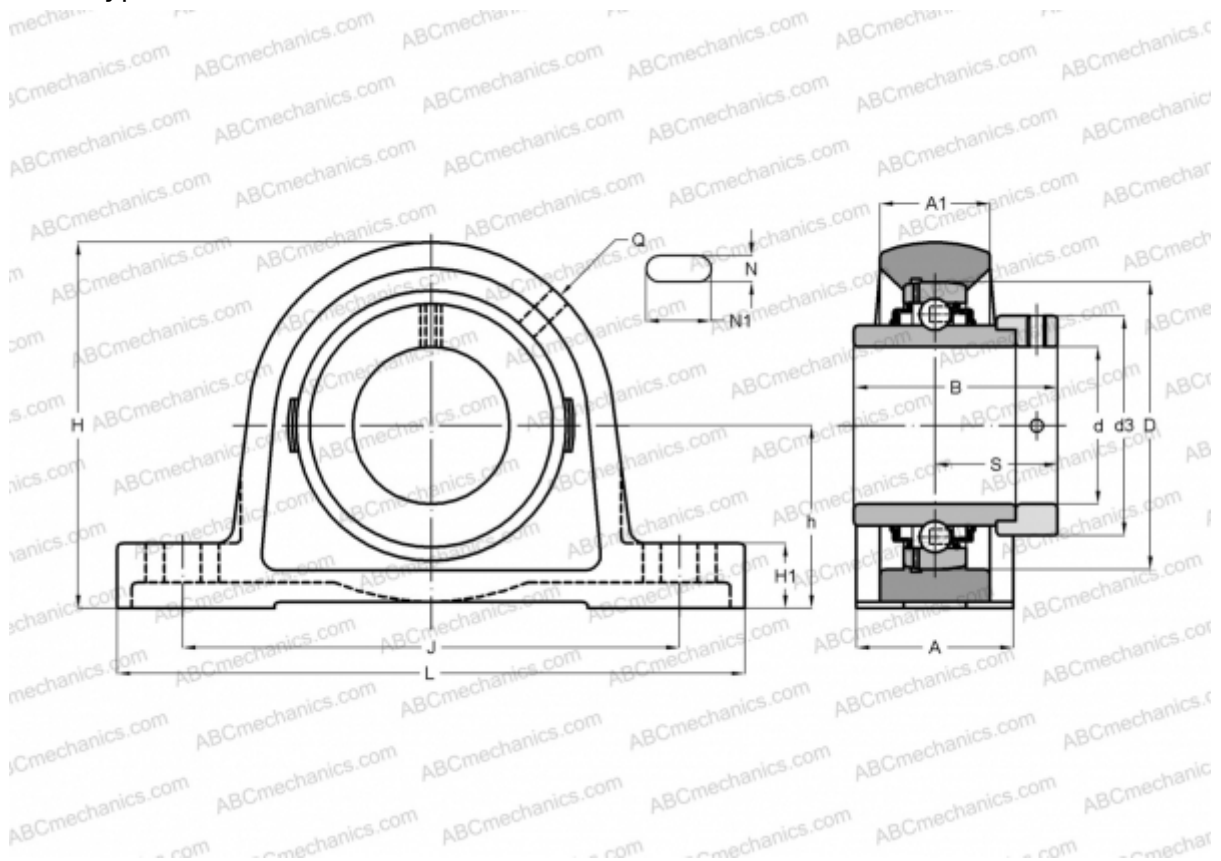


## RSAO90 INA

Ball bearing units

TYPE: Housing units, Plummer block, Cast iron housing, Radial insert ball bearing with eccentric locking collar, Type RSAO (INA)



### Technical specification

#### DIMENSIONS, MM

d	90,000
D	190,000
B	101,000
L	410,000
H	250,000
A	120,000
J	340,000
A1	84,000
H1	57,000
N	28,000
N1	54,000
S	65,500
d3	132,000
h	130,000
Q	Rp1/8

#### WEIGHT, KG

29,500

Bearing

GNE90-KRR-B

Housing

GG.SAO18

#### MANUFACTURER

[INA](#)

#### CALCULATION DATA

Basic dynamic load rating, C	143,000 kN
Basic static load rating, Co	107,000 kN