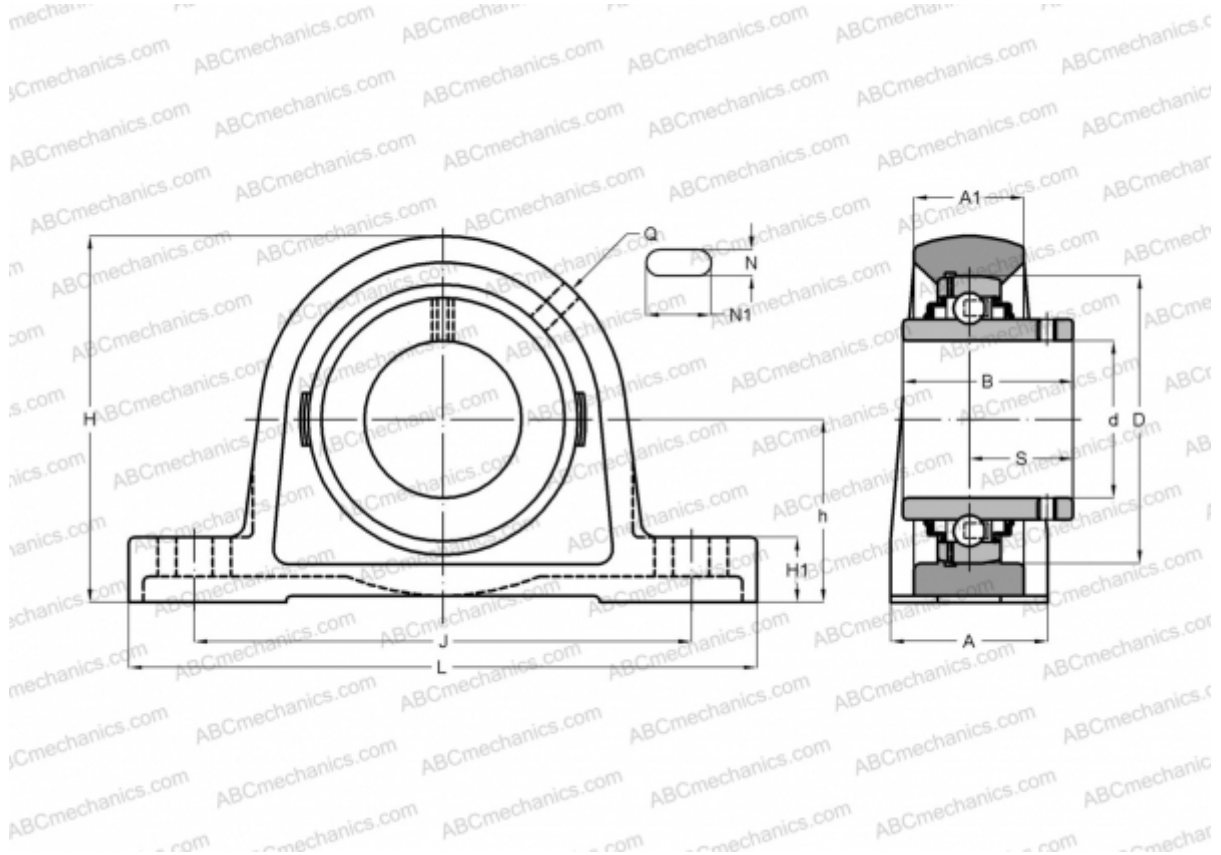


RASEY25-JIS INA

Ball bearing units

TYPE: Housing units, Plummer block, Cast iron housing, Radial insert ball bearing with grub screws in inner ring, Type RASEY (INA), dimensions sizes by standard JIS B 1559



Technical specification

DIMENSIONS, MM

d	25,000
D	52,000
B	34,100
L	140,000
H	71,000
A	38,000
J	105,000
A1	23,000
H1	15,000
N	13,000
N1	19,000
S	19,800
h	36,500
Q	M6

WEIGHT, KG

Bearing	0,790
Housing	GYE25-KRR-B-GG.P205

MANUFACTURER

[INA](#)

CALCULATION DATA

Basic dynamic load rating, C	14,000 kN
Basic static load rating, Co	7,800 kN