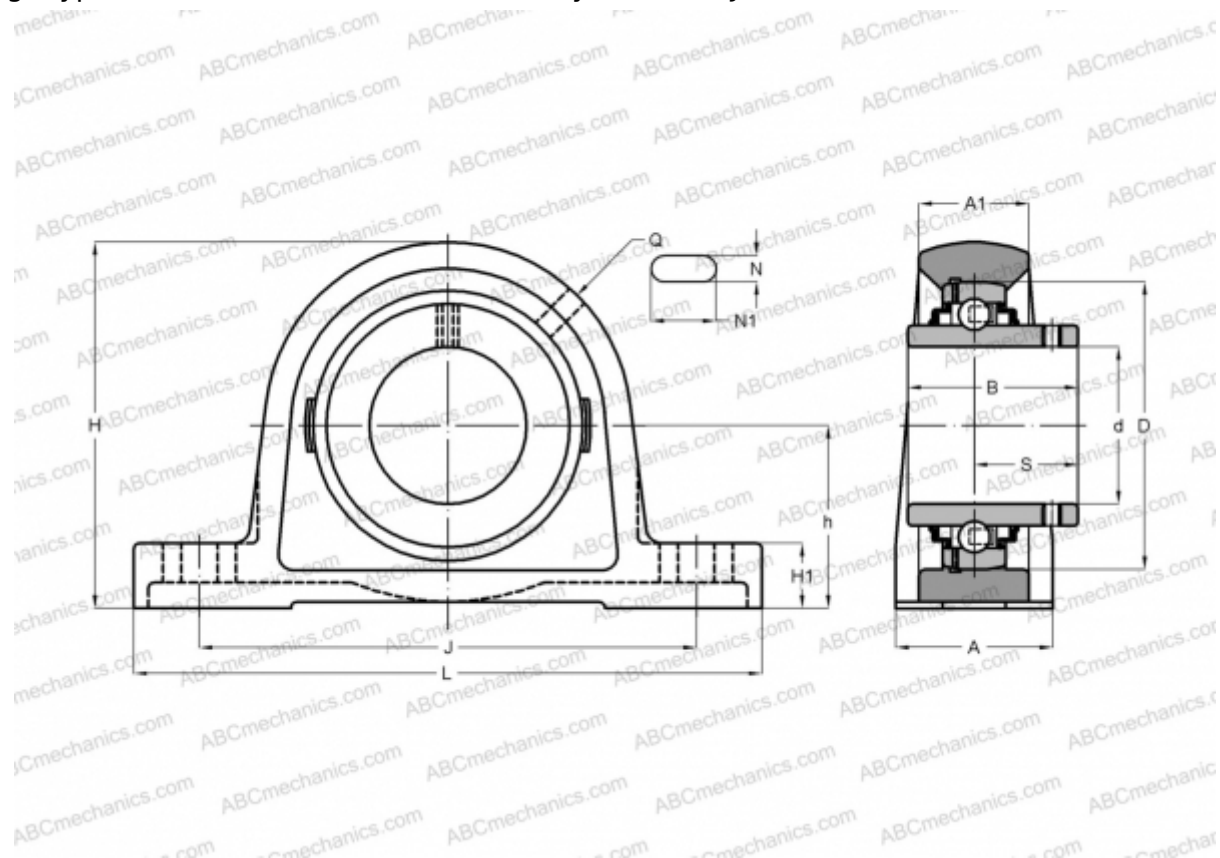


RASEY55-JIS INA

Ball bearing units

TYPE: Housing units, Plummer block, Cast iron housing, Radial insert ball bearing with grub screws in inner ring, Type RASEY (INA), dimensions sizes by standard JIS B 1559



Technical specification

DIMENSIONS, MM

d	55,000
D	100,000
B	55,600
L	219,000
H	126,000
A	60,000
J	171,000
A1	34,000
H1	23,000
N	20,000
N1	25,000
S	33,400
h	63,500
Q	M6

WEIGHT, KG

3,470

Bearing

GYE55-KRR-B-

Housing

GG.P211

MANUFACTURER

[INA](#)

CALCULATION DATA

Basic dynamic load rating, C	43,500 kN
Basic static load rating, Co	29,000 kN