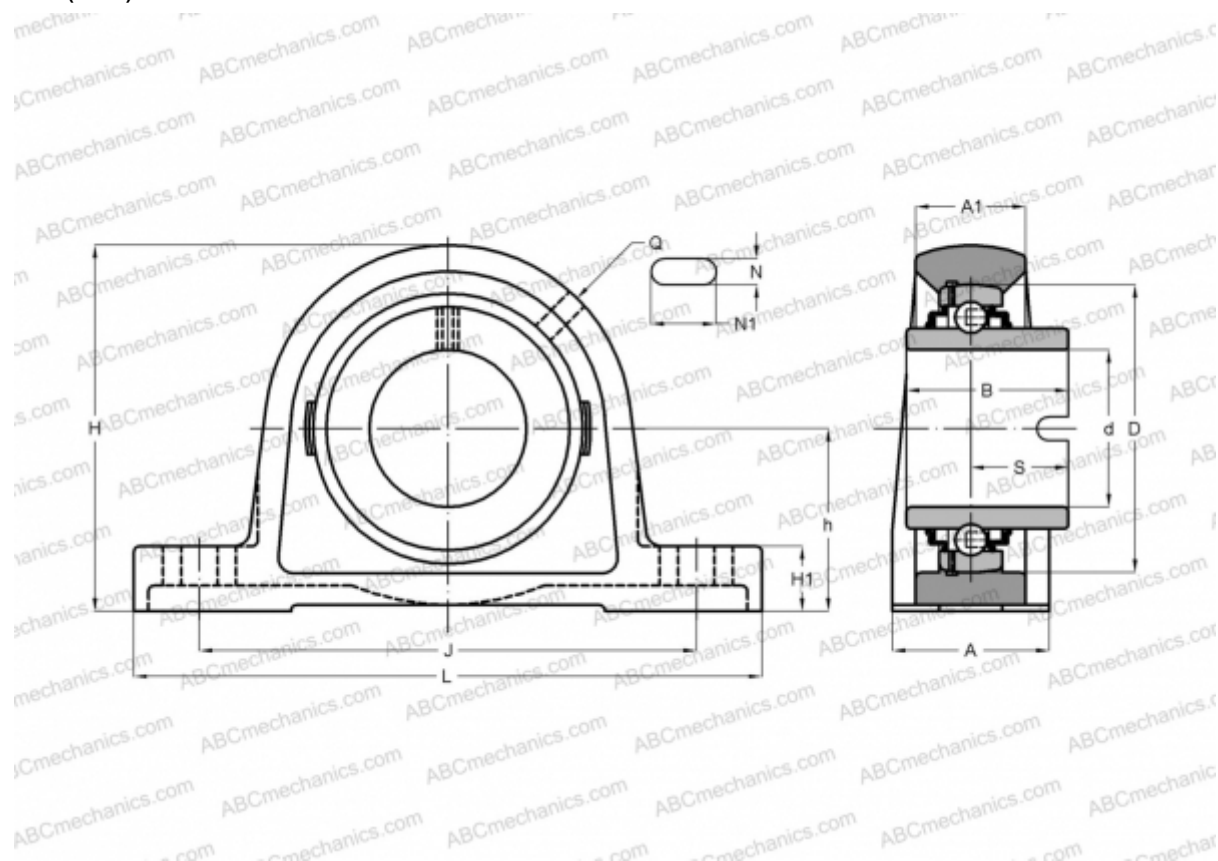


RASEL20-N INA

Ball bearing units

TYPE: Housing units, Plummer block, Cast iron housing, Non-locating bearing, drive slot on inner ring, Type RASEL (INA)



Technical specification

DIMENSIONS, MM

d	20,000
D	47,000
B	34,100
L	130,000
H	64,000
A	32,000
J	97,000
A1	19,000
H1	14,500
N	11,000
N1	19,000
S	18,500
h	33,300
Q	Rp1/8

WEIGHT, KG

0,580

Bearing	GLE20-KRR-B
Housing	GG.ASE04-E-N
Protective cover	KASK04

MANUFACTURER

[INA](#)

CALCULATION DATA

Basic dynamic load rating, C	12,800 kN
Basic static load rating, Co	6,600 kN