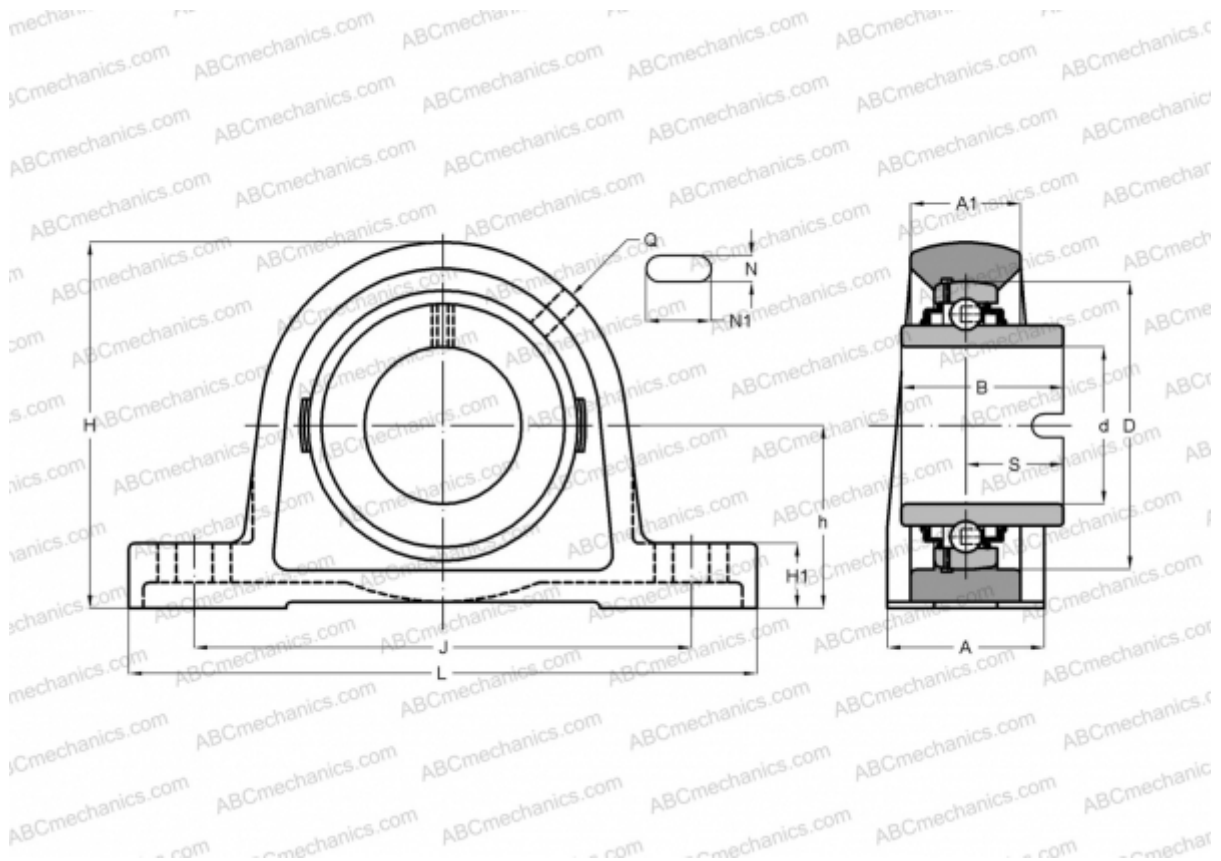


RASEL40-N INA

Ball bearing units

TYPE: Housing units, Plummer block, Cast iron housing, Non-locating bearing, drive slot on inner ring, Type RASEL (INA)



Technical specification

DIMENSIONS, MM

d	40,000
D	80,000
B	42,900
L	179,000
H	99,000
A	48,000
J	138,000
A1	30,000
H1	19,000
N	14,000
N1	26,000
S	27,000
h	49,200
Q	Rp1/8

WEIGHT, KG

1,790

Bearing	GLE40-KRR-B
Housing	GG.ASE/AK08-
Protective cover	KASK08

MANUFACTURER

[INA](#)

CALCULATION DATA

Basic dynamic load rating, C	32,500 kN
Basic static load rating, Co	19,800 kN