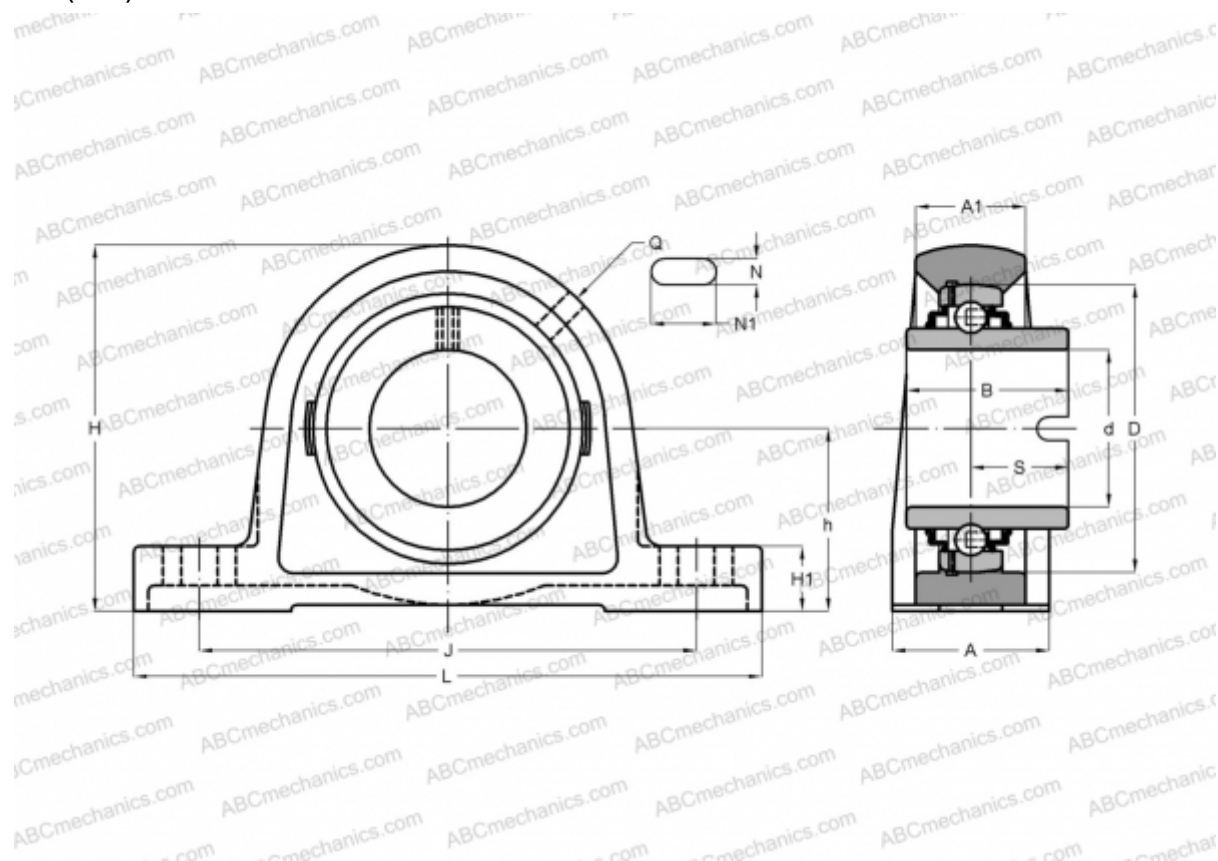


RASEL50-N INA

Ball bearing units

TYPE: Housing units, Plummer block, Cast iron housing, Non-locating bearing, drive slot on inner ring, Type RASEL (INA)



Technical specification

DIMENSIONS, MM

d	50,000
D	90,000
B	49,200
L	200,000
H	115,000
A	54,000
J	158,000
A1	34,000
H1	21,500
N	18,000
N1	23,000
S	30,200
h	57,200
Q	Rp1/8

WEIGHT, KG

2,600

Bearing	GLE50-KRR-B
Housing	GG.ASE10-N
Protective cover	KASK10

MANUFACTURER

[INA](#)

CALCULATION DATA

Basic dynamic load rating, C	35,000 kN
Basic static load rating, Co	23,200 kN