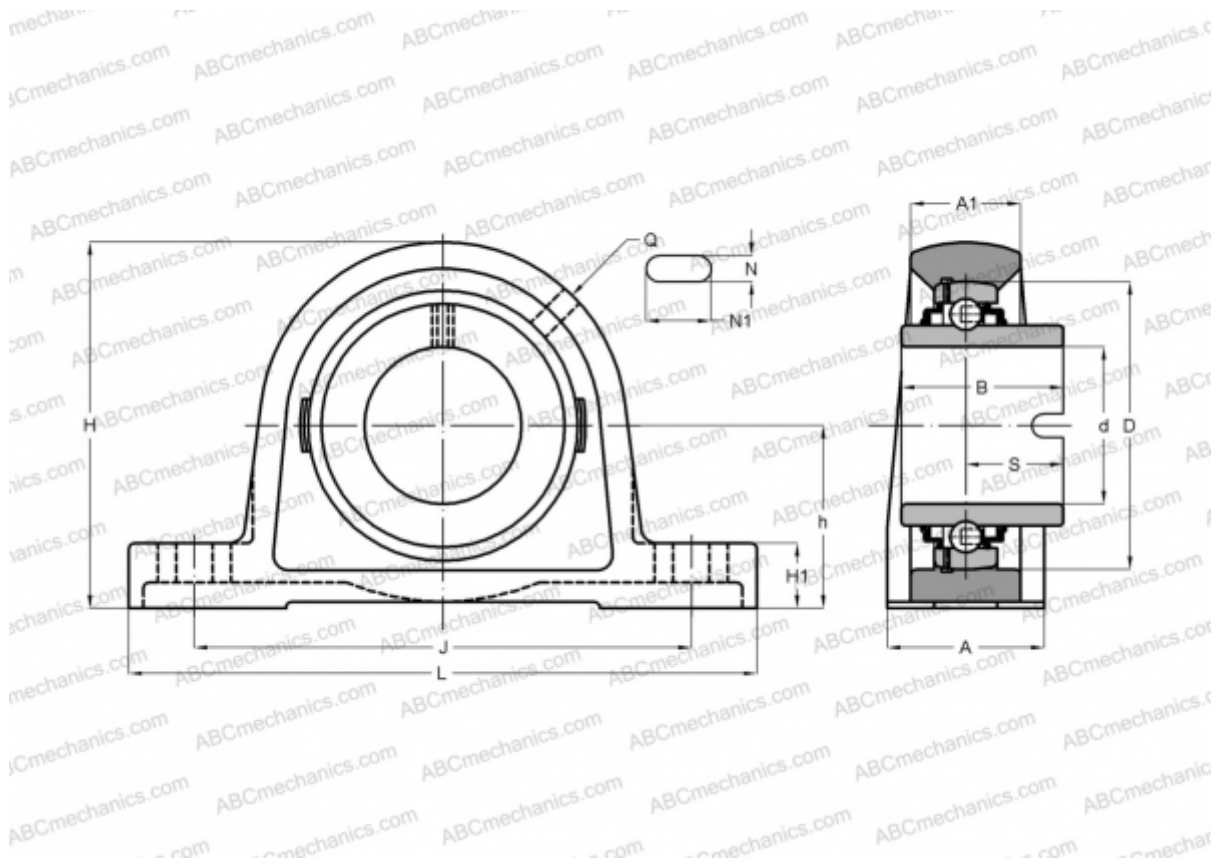


RASEL60-N INA

Ball bearing units

TYPE: Housing units, Plummer block, Cast iron housing, Non-locating bearing, drive slot on inner ring, Type RASEL (INA)



Technical specification

DIMENSIONS, MM

d	60,000
D	110,000
B	61,900
L	240,000
H	140,000
A	60,000
J	190,000
A1	42,000
H1	25,000
N	18,000
N1	28,000
S	37,300
h	69,900
Q	Rp1/8

WEIGHT, KG

Bearing	4,430
Housing	GLE60-KRR-B
Protective cover	GG.ASE12-N
	KASK12

MANUFACTURER

[INA](#)

CALCULATION DATA

Basic dynamic load rating, C	52,000 kN
Basic static load rating, Co	36,000 kN