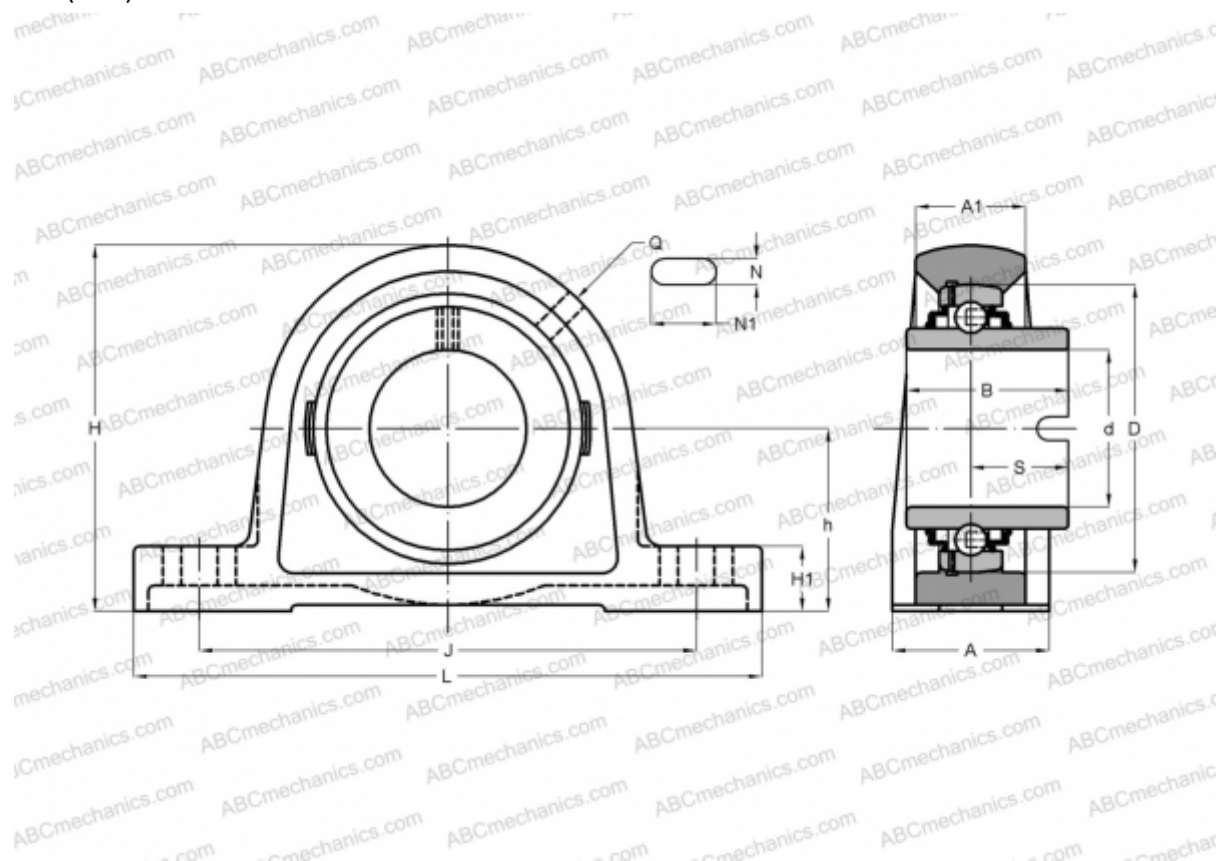


RASEL70 INA

Ball bearing units

TYPE: Housing units, Plummer block, Cast iron housing, Non-locating bearing, drive slot on inner ring, Type RASEL (INA)



Technical specification

DIMENSIONS, MM

d	70,000
D	125,000
B	68,200
L	260,000
H	156,000
A	65,000
J	203,000
A1	44,000
H1	27,500
N	22,000
N1	28,000
S	41,200
h	79,400
Q	Rp1/8

WEIGHT, KG

5,870

Bearing

GLE70-KRR-B

Housing

GG.ASE14

MANUFACTURER

[INA](#)

CALCULATION DATA

Basic dynamic load rating, C	62,000 kN
Basic static load rating, Co	44,000 kN