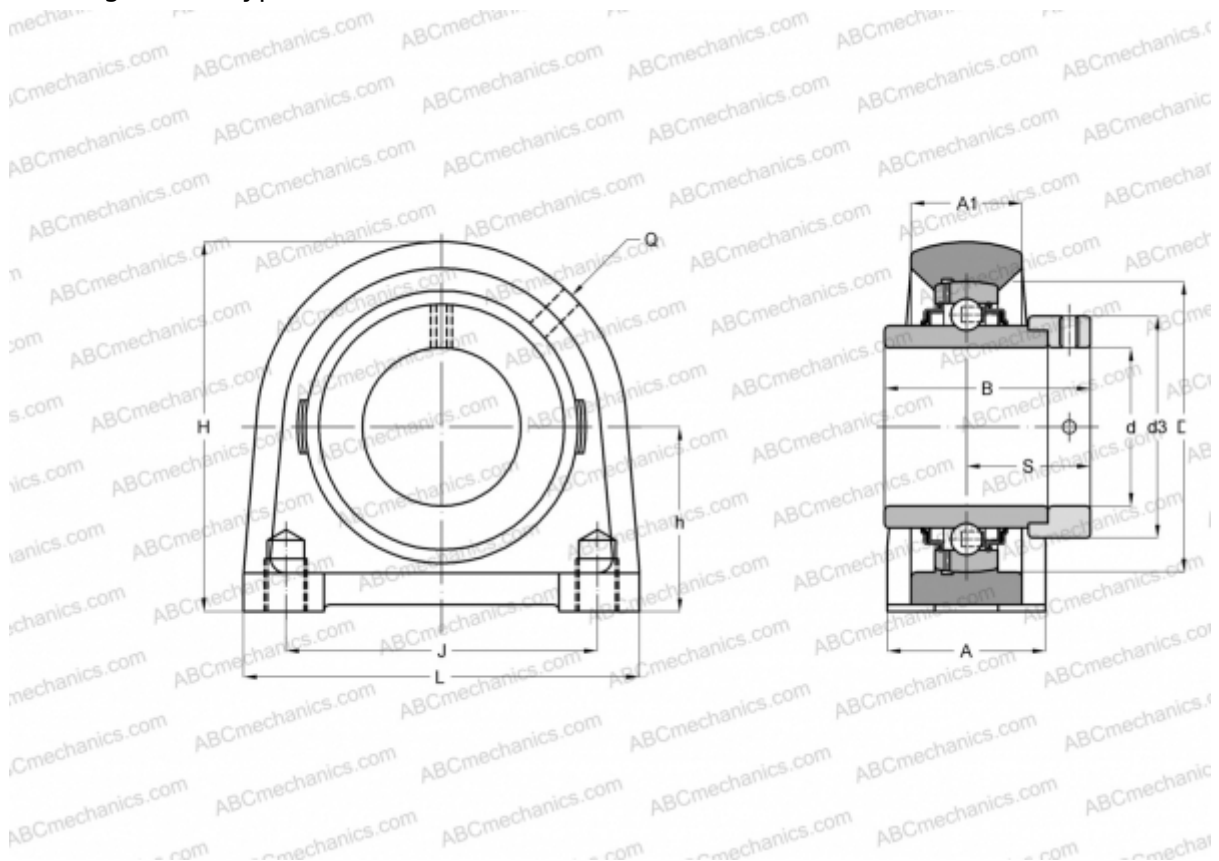


## RSHE25-N INA

Ball bearing units

TYPE: Housing units, Plummer block, Narrow cast iron housing, Radial insert ball bearing with eccentric locking collar, Type RSHE (INA)



### Technical specification

#### DIMENSIONS, MM

|    |        |
|----|--------|
| d  | 25,000 |
| D  | 52,000 |
| B  | 44,500 |
| L  | 70,000 |
| H  | 70,000 |
| A  | 36,000 |
| J  | 50,800 |
| A1 | 21,000 |
| S  | 27,000 |
| d3 | 37,500 |
| h  | 36,500 |
| Q  | Rp1/8  |

**WEIGHT, KG** 0,600

|                  |              |
|------------------|--------------|
| Bearing          | GE25-KRR-B   |
| Housing          | GG.SHE05-E-N |
| Protective cover | KASK05       |

#### MANUFACTURER

[INA](#)

#### CALCULATION DATA

|                              |           |
|------------------------------|-----------|
| Basic dynamic load rating, C | 14,000 kN |
| Basic static load rating, Co | 7,800 kN  |