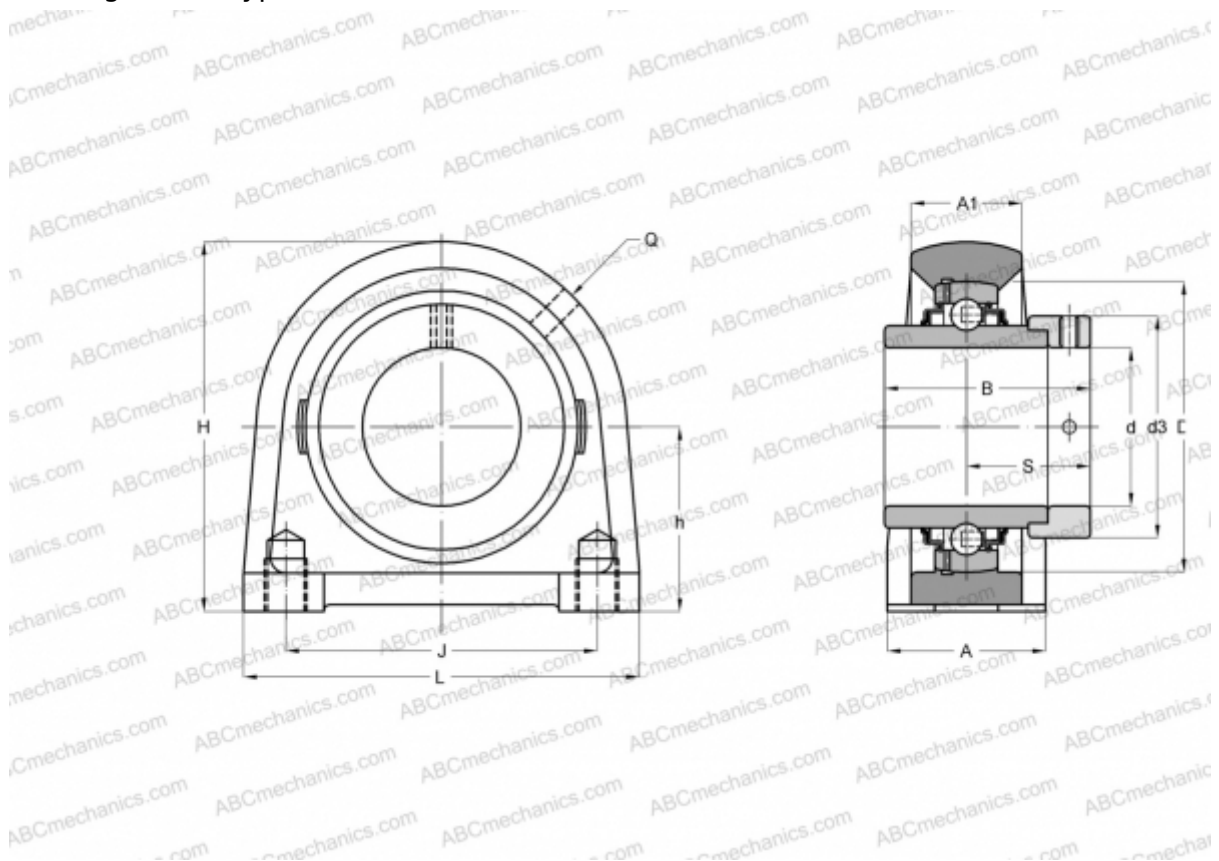


## RSHE55 INA

Ball bearing units

TYPE: Housing units, Plummer block, Narrow cast iron housing, Radial insert ball bearing with eccentric locking collar, Type RSHE (INA)



### Technical specification

#### DIMENSIONS, MM

d	55,000
D	100,000
B	71,400
L	150,000
H	125,000
A	60,000
J	118,000
A1	35,000
S	43,600
d3	76,000
h	64,000
Q	Rp1/8

**WEIGHT, KG** 3,520

Bearing	GE55-KRR-B
Housing	GG.SHE11

#### MANUFACTURER

[INA](#)

#### CALCULATION DATA

Basic dynamic load rating, C	43,500 kN
Basic static load rating, Co	29,000 kN