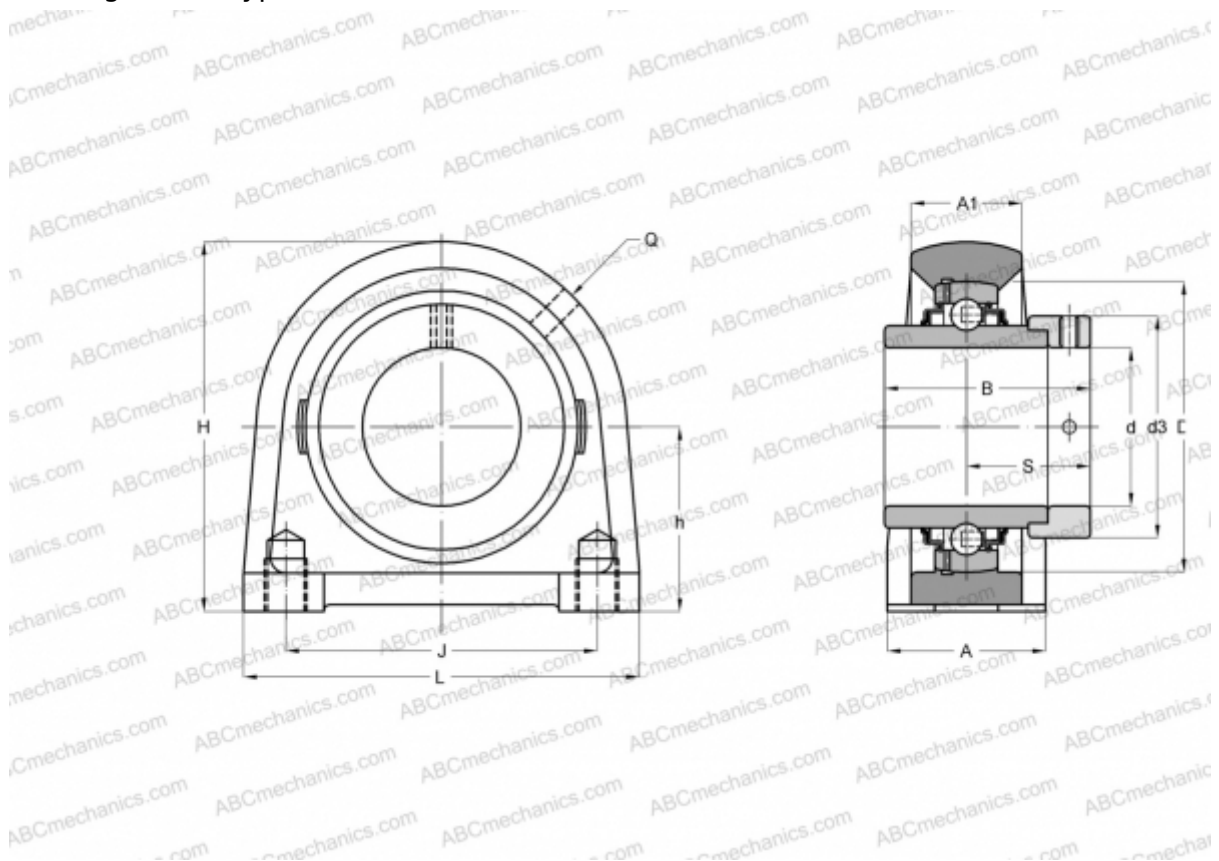


## RSHE60-N INA

Ball bearing units

TYPE: Housing units, Plummer block, Narrow cast iron housing, Radial insert ball bearing with eccentric locking collar, Type RSHE (INA)



### Technical specification

#### DIMENSIONS, MM

d	60,000
D	110,000
B	77,900
L	150,000
H	140,000
A	60,000
J	118,000
A1	42,000
S	46,900
d3	84,000
h	69,900
Q	Rp1/8

#### WEIGHT, KG

4,540

Bearing	GE60-KRR-B
Housing	GG.SHE12-N
Protective cover	KASK12

#### MANUFACTURER

[INA](#)

#### CALCULATION DATA

Basic dynamic load rating, C	52,000 kN
Basic static load rating, Co	36,000 kN