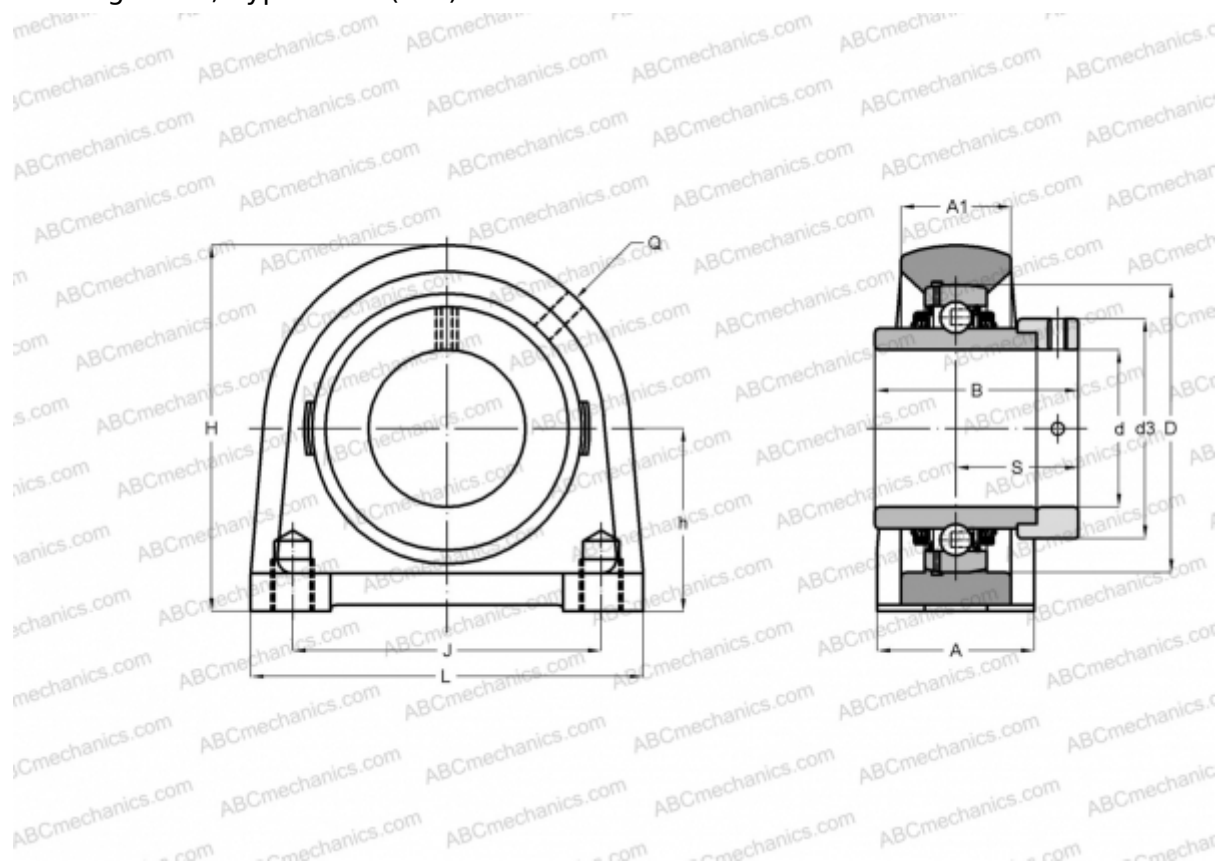


TSHE35-N INA

Ball bearing units

TYPE: Housing units, Plummer block, Narrow cast iron housing, Radial insert ball bearing with eccentric locking collar, Type TSHE (INA)



Technical specification

DIMENSIONS, MM

d	35,000
D	72,000
B	51,300
L	103,000
H	93,000
A	45,000
J	82,600
A1	27,000
S	32,500
d3	51,000
h	47,600
Q	Rp1/8

WEIGHT, KG 1,340

Bearing	GE35-KTT-B
Housing	GG.SHE07-E-N
Protective cover	KASK07

MANUFACTURER

[INA](#)

CALCULATION DATA

Basic dynamic load rating, C	25,500 kN
Basic static load rating, Co	15,300 kN