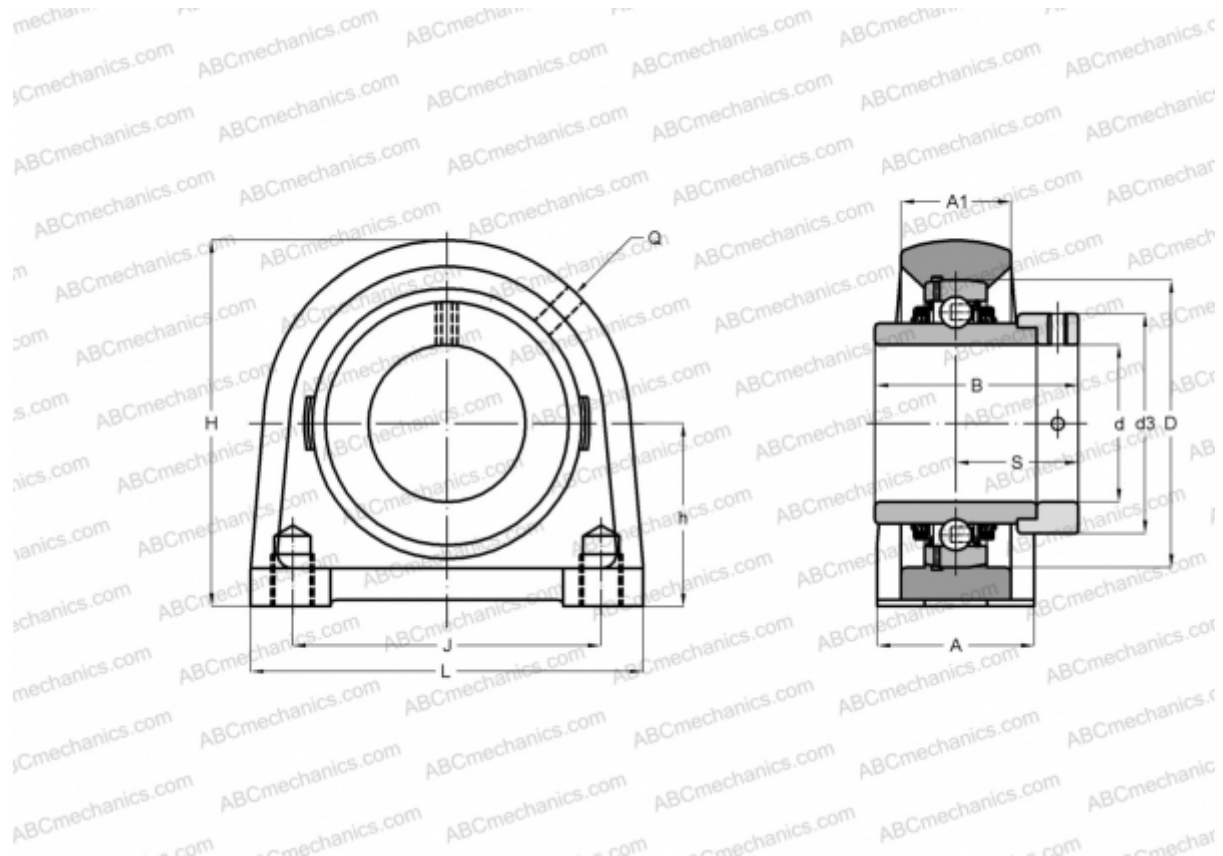


## TSHE40-N INA

Ball bearing units

TYPE: Housing units, Plummer block, Narrow cast iron housing, Radial insert ball bearing with eccentric locking collar, Type TSHE (INA)



### Technical specification

#### DIMENSIONS, MM

d	40,000
D	80,000
B	56,500
L	116,000
H	99,000
A	48,000
J	88,900
A1	30,000
S	35,100
d3	58,000
h	49,200
Q	Rp1/8

**WEIGHT, KG** 1,660

Bearing	GE40-KTT-B
Housing	GG.SHE08-E-N
Protective cover	KASK08

#### MANUFACTURER

[INA](#)

#### CALCULATION DATA

Basic dynamic load rating, C	32,500 kN
Basic static load rating, Co	19,800 kN