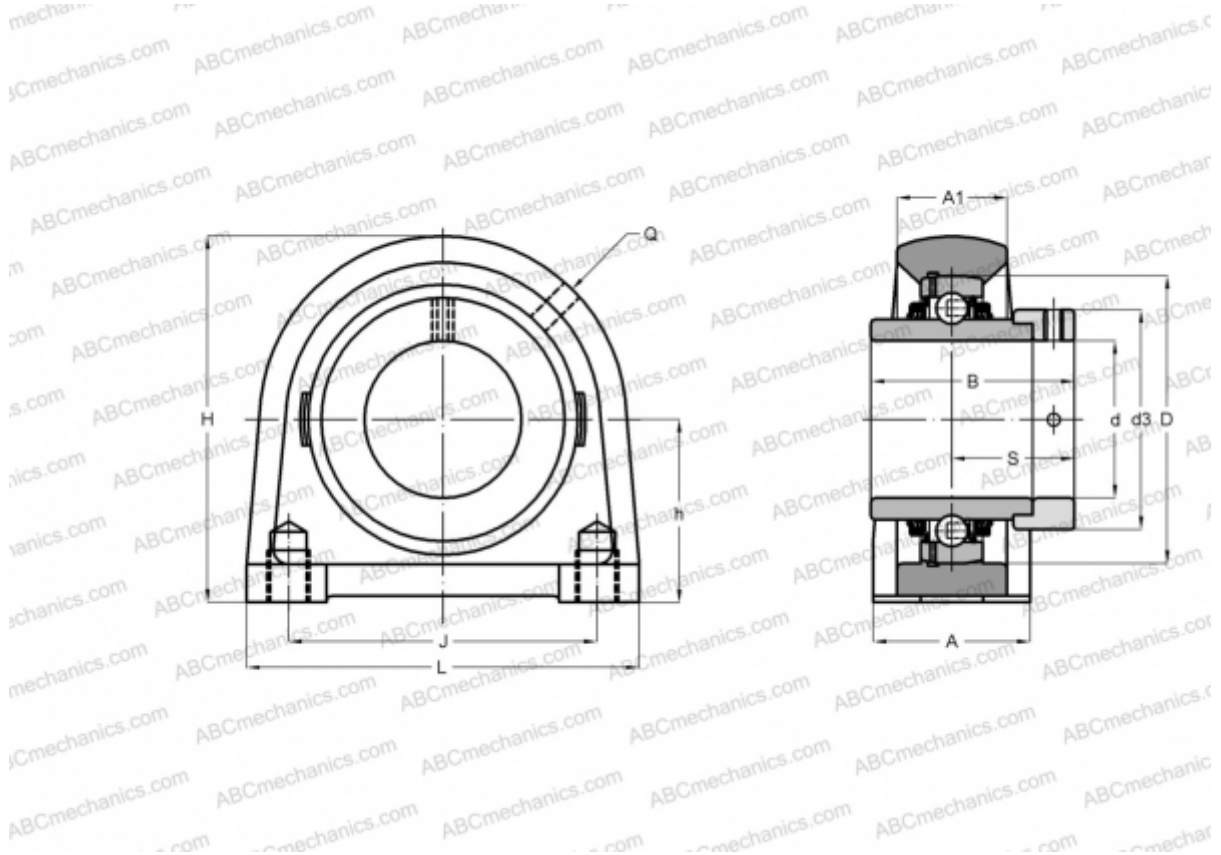


TSHE60-N INA

Ball bearing units

TYPE: Housing units, Plummer block, Narrow cast iron housing, Radial insert ball bearing with eccentric locking collar, Type TSHE (INA)



Technical specification

DIMENSIONS, MM

d	60,000
D	110,000
B	77,900
L	150,000
H	140,000
A	60,000
J	118,000
A1	42,000
S	46,900
d3	84,000
h	69,900
Q	Rp1/8

WEIGHT, KG 4,220

Bearing	GE60-KTT-B
Housing	GG.SHE12-N
Protective cover	KASK12

MANUFACTURER

[INA](#)

CALCULATION DATA

Basic dynamic load rating, C	52,000 kN
Basic static load rating, Co	36,000 kN