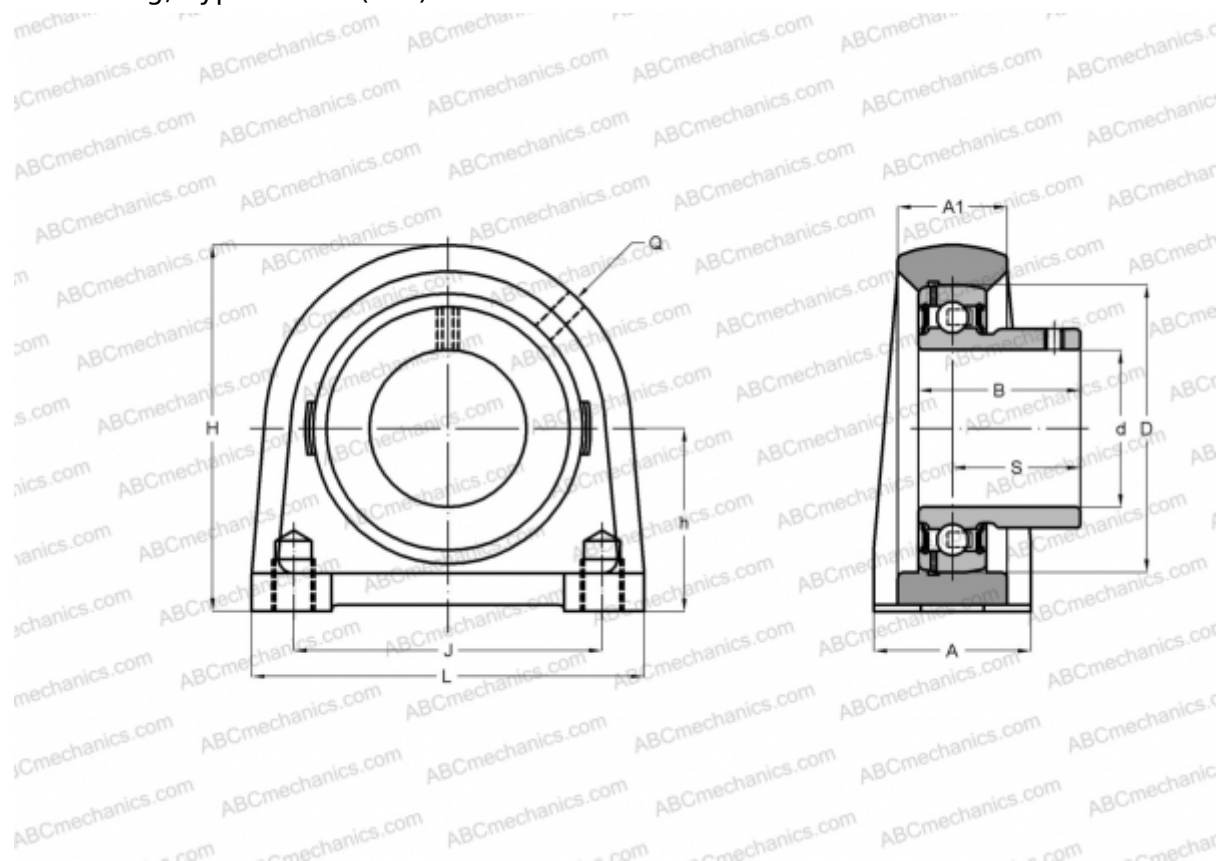


PSHEY35-N INA

Ball bearing units

TYPE: Housing units, Plummer block, Narrow cast iron housing, Radial insert ball bearing with grub screws in inner ring, Type PSHEY (INA)



Technical specification

DIMENSIONS, MM

d	35,000
D	72,000
B	35,000
L	103,000
H	93,000
A	45,000
J	82,600
A1	27,000
S	25,500
h	47,600
Q	Rp1/8

WEIGHT, KG

	1,190
Bearing	GAY35-NPP-B

Housing	GG.SHE07-E-N
Protective cover	KASK07

MANUFACTURER

[INA](#)

CALCULATION DATA

Basic dynamic load rating, C	25,500 kN
Basic static load rating, Co	15,300 kN