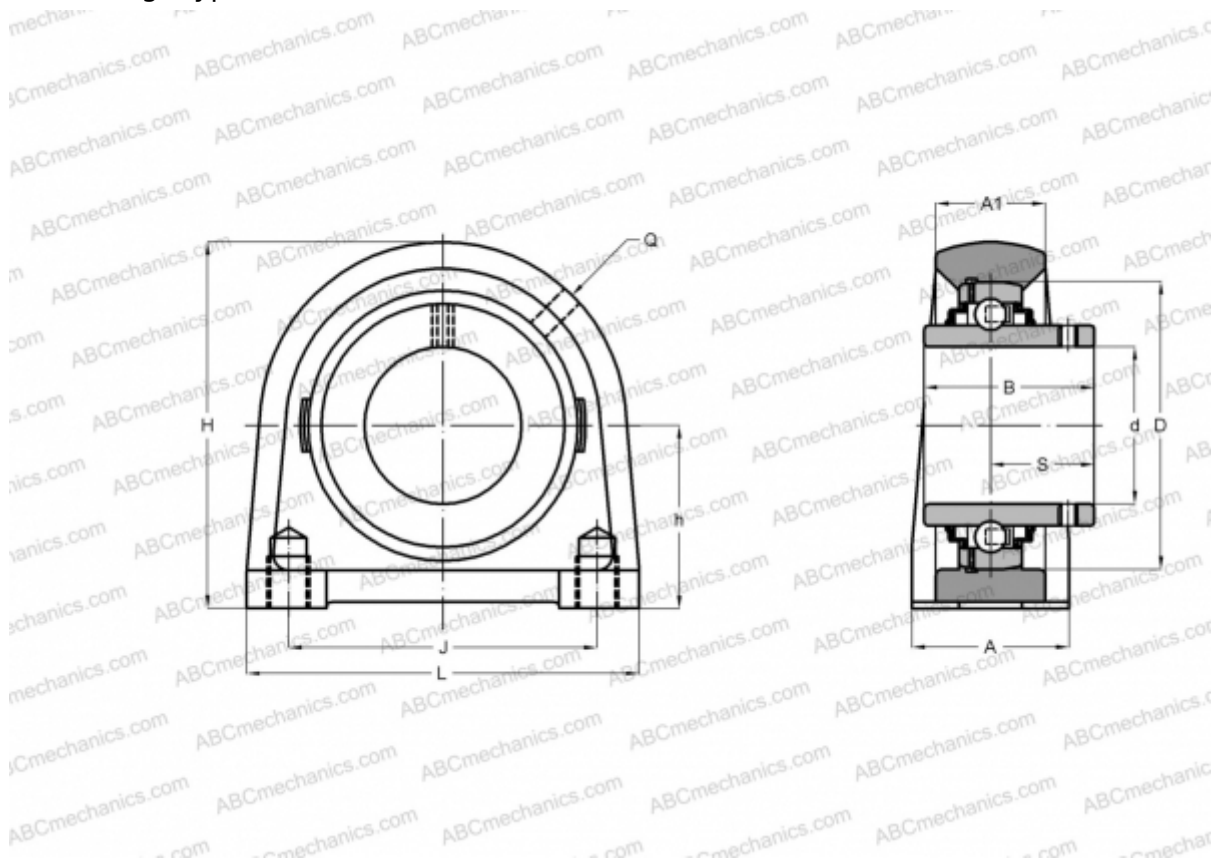


RSHEY15 INA

Ball bearing units

TYPE: Housing units, Plummer block, Narrow cast iron housing, Radial insert ball bearing with grub screws in inner ring, Type RSHEY (INA)



Technical specification

DIMENSIONS, MM

d	15,000
D	40,000
B	27,400
L	63,000
H	57,000
A	30,000
J	47,000
A1	18,000
S	15,900
h	30,200
Q	M6

WEIGHT, KG

0,420

Bearing

GYE15-KRR-B

Housing

GG.SHE03

MANUFACTURER

[INA](#)

CALCULATION DATA

Basic dynamic load rating, C	9,800 kN
Basic static load rating, Co	4,750 kN