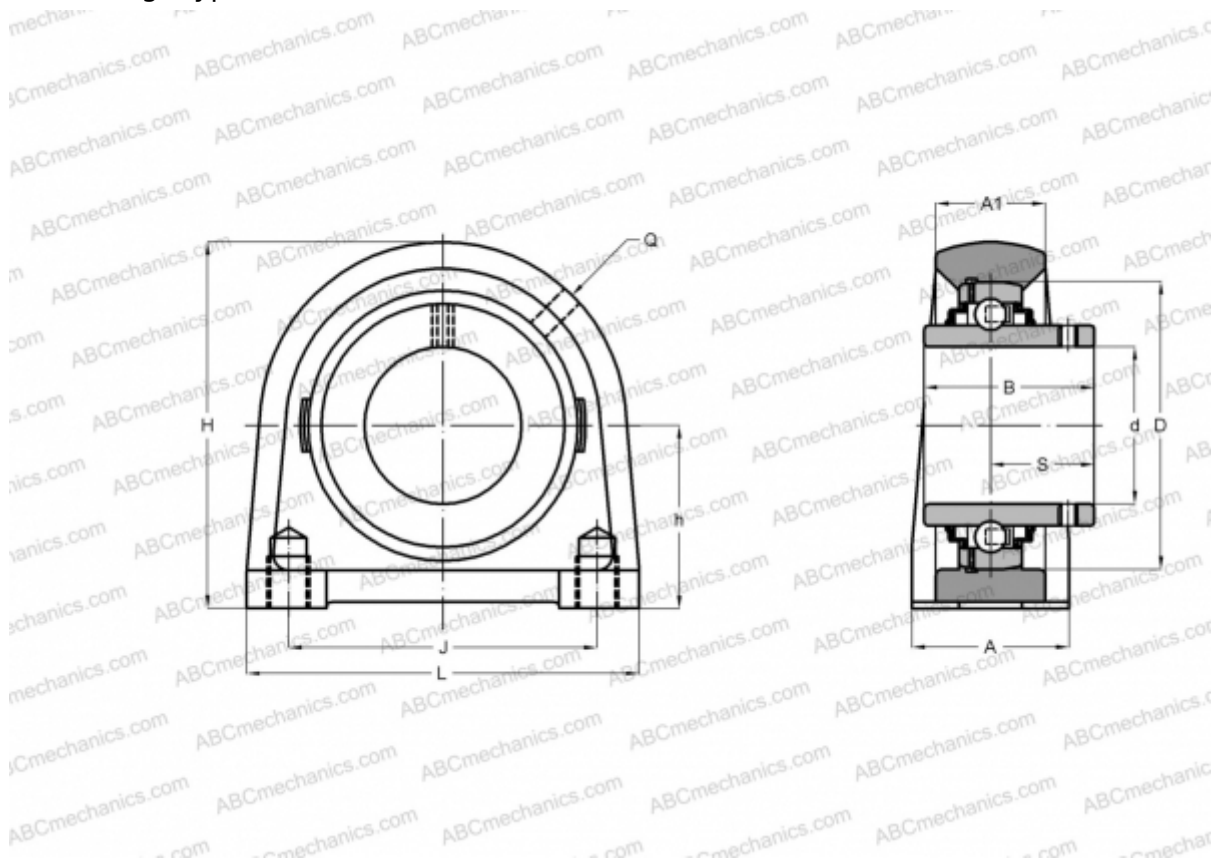


## RSHEY17 INA

Ball bearing units

TYPE: Housing units, Plummer block, Narrow cast iron housing, Radial insert ball bearing with grub screws in inner ring, Type RSHEY (INA)



### Technical specification

#### DIMENSIONS, MM

d	17,000
D	40,000
B	27,400
L	63,000
H	57,000
A	30,000
J	47,000
A1	18,000
S	15,900
h	30,200
Q	M6

**WEIGHT, KG** 0,410

Bearing GYE17-KRR-B

Housing

GG.SHE03

#### MANUFACTURER

[INA](#)

#### CALCULATION DATA

Basic dynamic load rating, C	9,800 kN
Basic static load rating, Co	4,750 kN