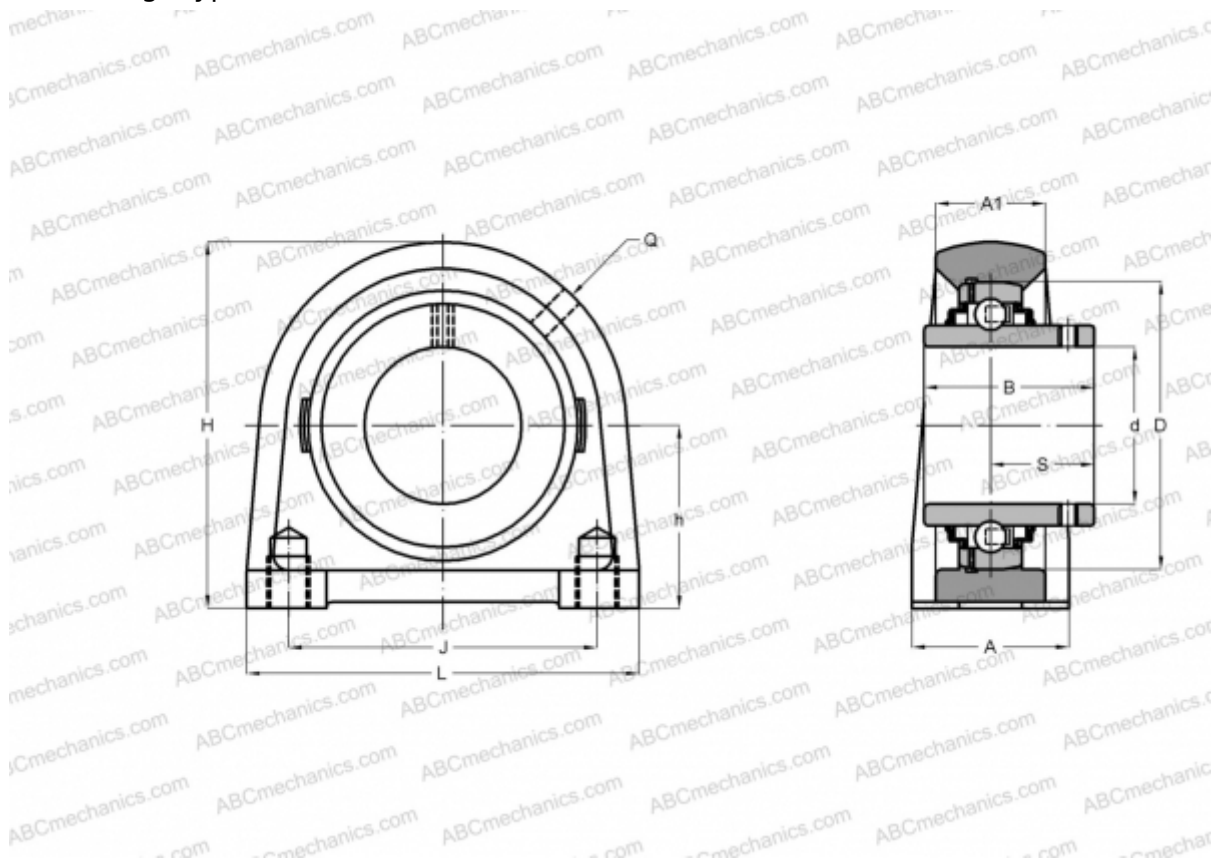


## RSHEY40-N INA

Ball bearing units

TYPE: Housing units, Plummer block, Narrow cast iron housing, Radial insert ball bearing with grub screws in inner ring, Type RSHEY (INA)



### Technical specification

#### DIMENSIONS, MM

d	40,000
D	80,000
B	49,200
L	116,000
H	99,000
A	48,000
J	88,900
A1	30,000
S	30,200
h	49,200
Q	Rp1/8

#### WEIGHT, KG

1,530

Bearing

GYE40-KRR-B

Housing

GG.SHE08-E-N

Protective cover

KASK08

#### MANUFACTURER

[INA](#)

#### CALCULATION DATA

Basic dynamic load rating, C	32,500 kN
Basic static load rating, Co	19,800 kN