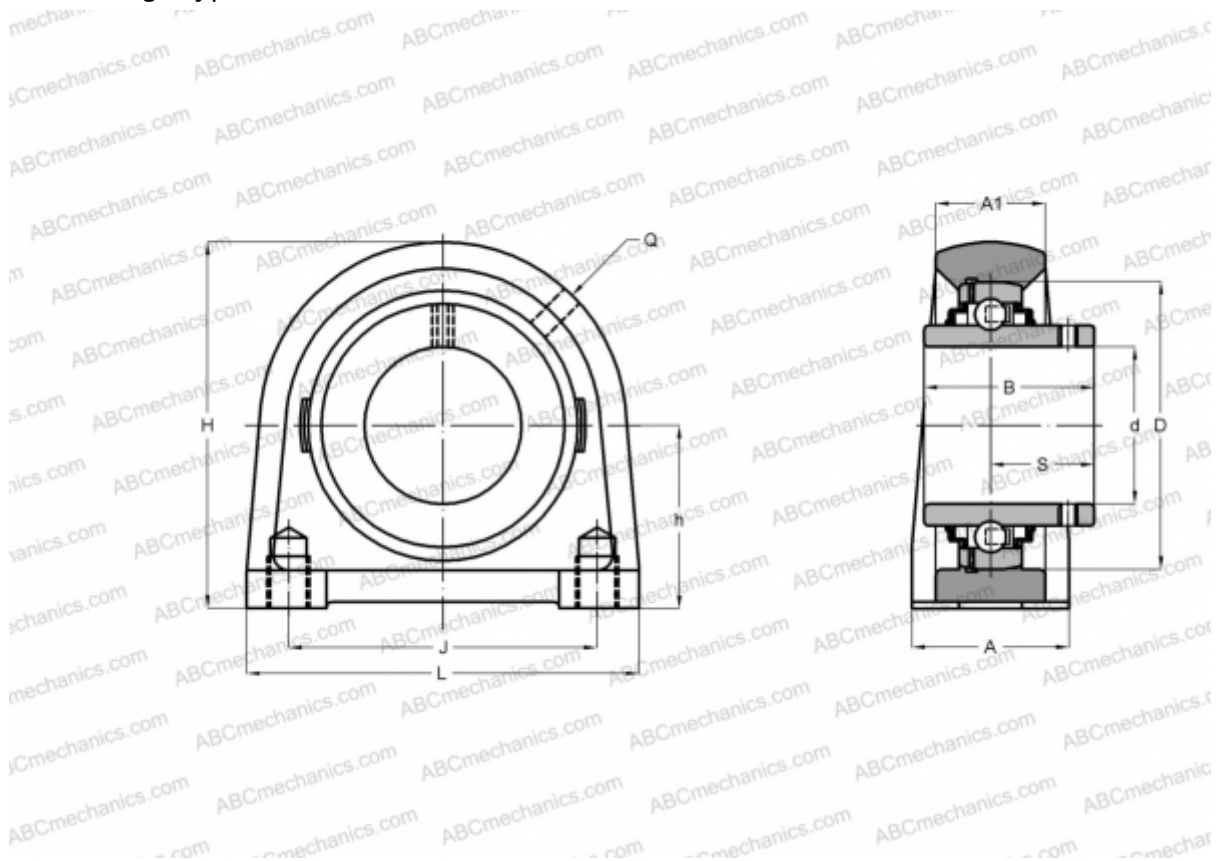


RSHEY55 INA

Ball bearing units

TYPE: Housing units, Plummer block, Narrow cast iron housing, Radial insert ball bearing with grub screws in inner ring, Type RSHEY (INA)



Technical specification

DIMENSIONS, MM

d	55,000
D	100,000
B	55,600
L	150,000
H	125,000
A	60,000
J	118,000
A1	35,000
S	33,400
h	64,000
Q	Rp1/8

WEIGHT, KG

3,290

Bearing

GYE55-KRR-B

Housing

GG.SHE11

MANUFACTURER

[INA](#)

CALCULATION DATA

Basic dynamic load rating, C	43,500 kN
Basic static load rating, Co	29,000 kN