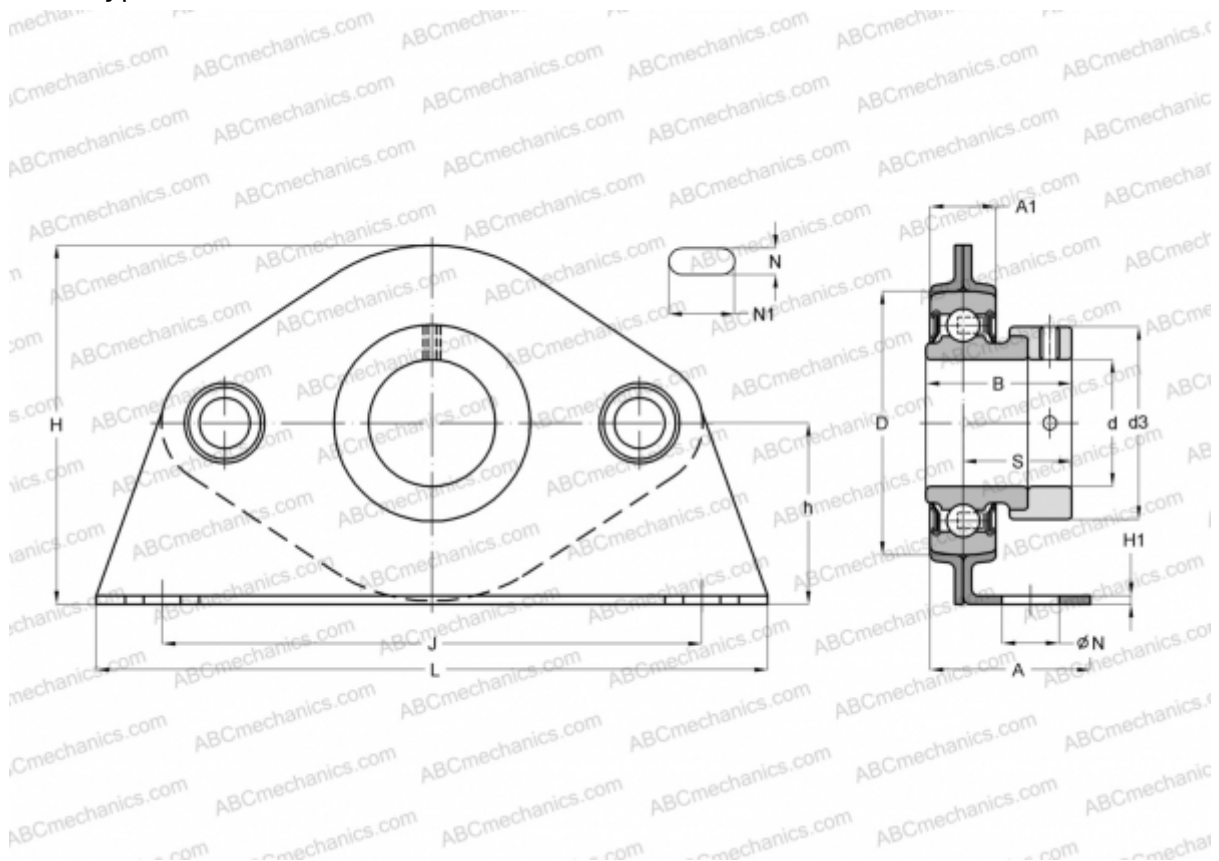


PBS30 INA

Ball bearing units

TYPE: Housing units, Plummer block, Sheet steel housing, Radial insert ball bearing with eccentric locking collar, Type PBS (INA)



Technical specification

DIMENSIONS, MM

| | |
|----|---------|
| d | 30,000 |
| D | 62,000 |
| B | 35,800 |
| L | 159,000 |
| H | 85,000 |
| A | 38,900 |
| J | 119,000 |
| A1 | 17,400 |
| H1 | 3,400 |
| N | 13,500 |
| N1 | 8,000 |
| S | 26,700 |
| d3 | 44,000 |
| h | 42,900 |

WEIGHT, KG

| | |
|---------|--------------------------|
| Bearing | 0,790 |
| Housing | RAE30-NPP-B GEH62-PBS |

MANUFACTURER

[INA](#)

CALCULATION DATA

| | |
|------------------------------|-----------|
| Basic dynamic load rating, C | 19,500 kN |
| Basic static load rating, Co | 11,300 kN |