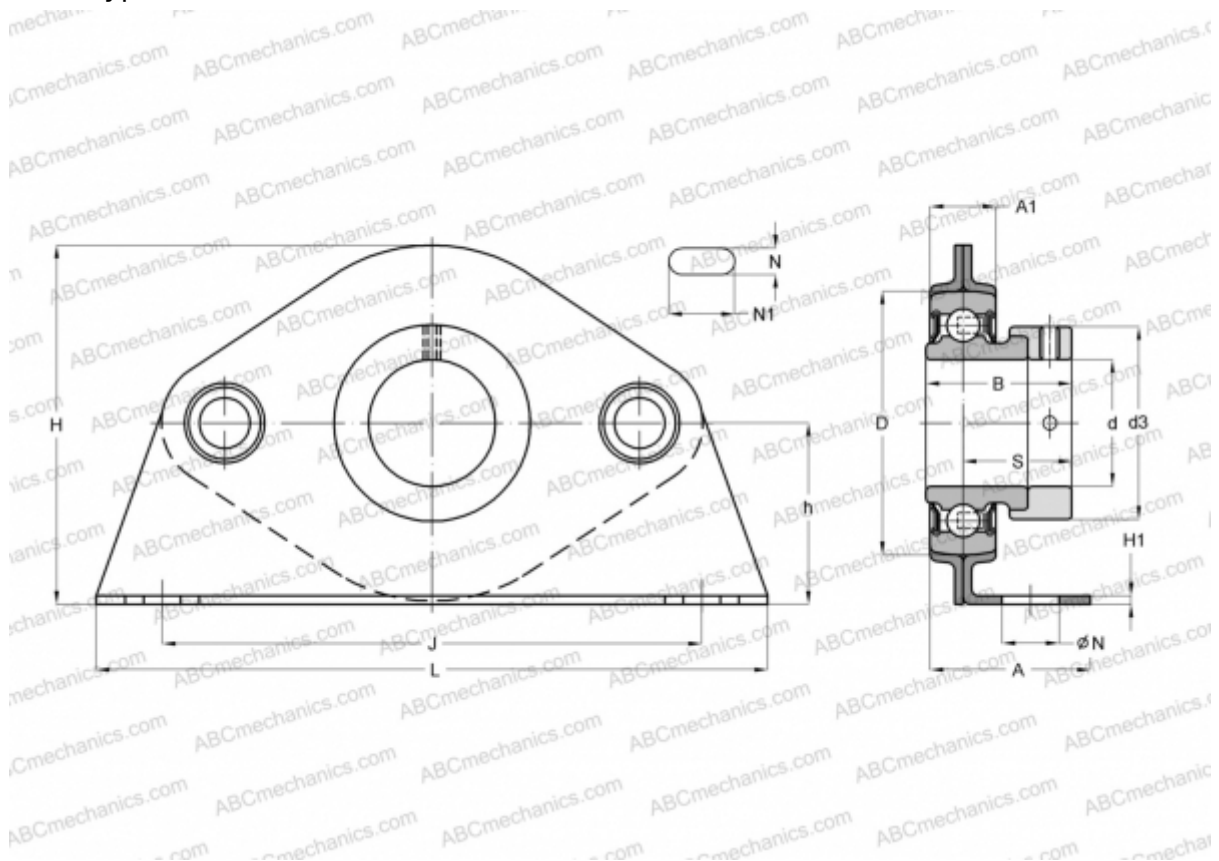


PBS35 INA

Ball bearing units

TYPE: Housing units, Plummer block, Sheet steel housing, Radial insert ball bearing with eccentric locking collar, Type PBS (INA)



Technical specification

DIMENSIONS, MM

d	35,000
D	72,000
B	39,000
L	165,000
H	94,400
A	46,100
J	127,000
A1	22,200
H1	4,000
N	13,500
N1	8,000
S	29,400
d3	51,000
h	47,600

WEIGHT, KG

Bearing	1,050
Housing	RAE35-NPP-B GEH72-PBS

MANUFACTURER

[INA](#)

CALCULATION DATA

Basic dynamic load rating, C	25,500 kN
Basic static load rating, Co	15,300 kN