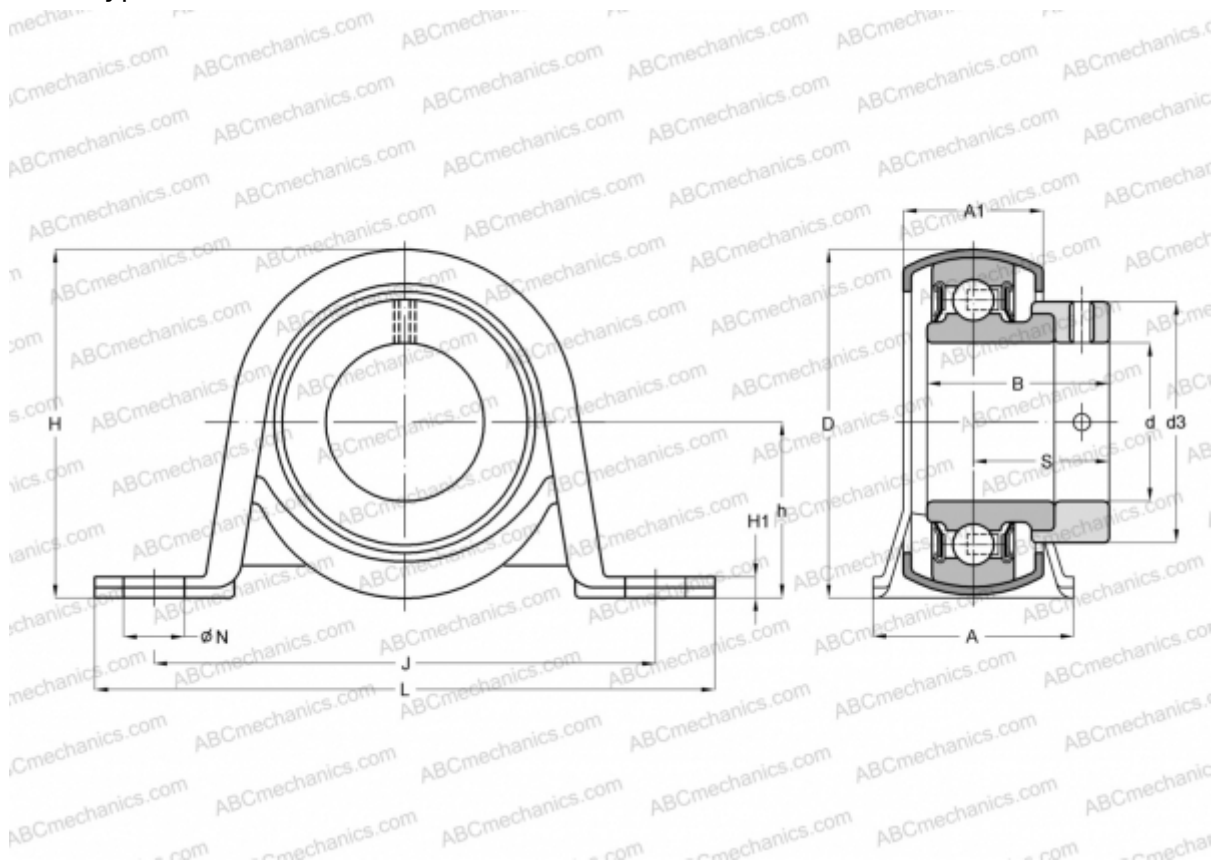


PB25 INA

Ball bearing units

TYPE: Housing units, Plummer block, Sheet steel housing, Radial insert ball bearing with eccentric locking collar, Type PB (INA)



Technical specification

DIMENSIONS, MM

d	25,000
D	52,000
B	31,000
L	108,000
H	56,500
A	31,800
J	86,000
A1	23,500
H1	4,000
N	11,500
S	23,500
d3	37,500
h	28,600

Bearing	RAE25-NPP-B
Housing	GEH52-BT

MANUFACTURER

[INA](#)

CALCULATION DATA

Basic dynamic load rating, C	14,000 kN
Basic static load rating, Co	7,800 kN

WEIGHT, KG 0,300