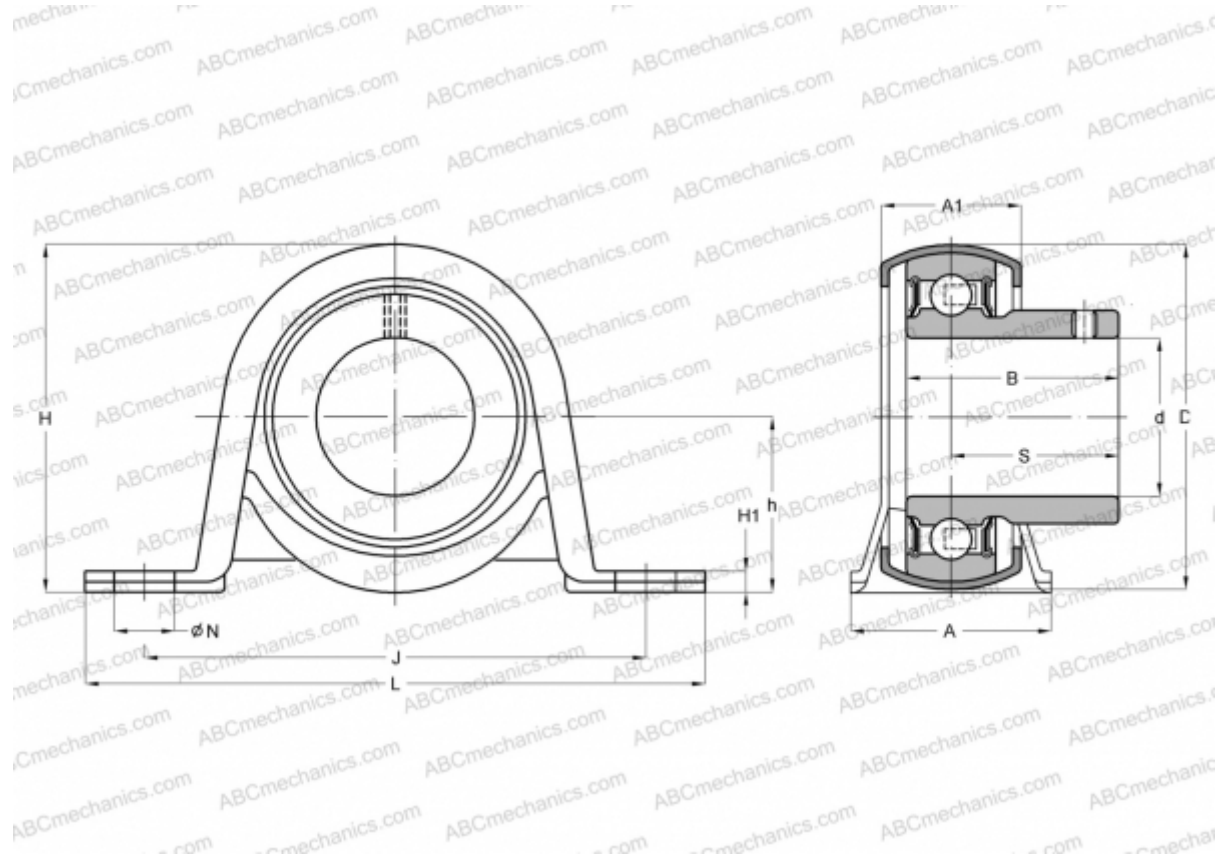


PBY20 INA

TYPE: Housing units, Plummer block, Sheet steel housing, Radial insert ball bearing with grub screws in inner ring, Type PBY (INA)



Technical specification

DIMENSIONS, MM

d	20,000
D	47,000
B	25,000
L	98,400
H	50,100
A	31,800
J	76,000
A1	22,300
H1	3,300
N	9,500
S	18,000
h	25,400

WEIGHT, KG

0,220

Bearing

AY20-NPP-B

Housing

GEH47-BT

MANUFACTURER

[INA](#)

CALCULATION DATA

Basic dynamic load rating, C	12,800 kN
Basic static load rating, Co	6,600 kN