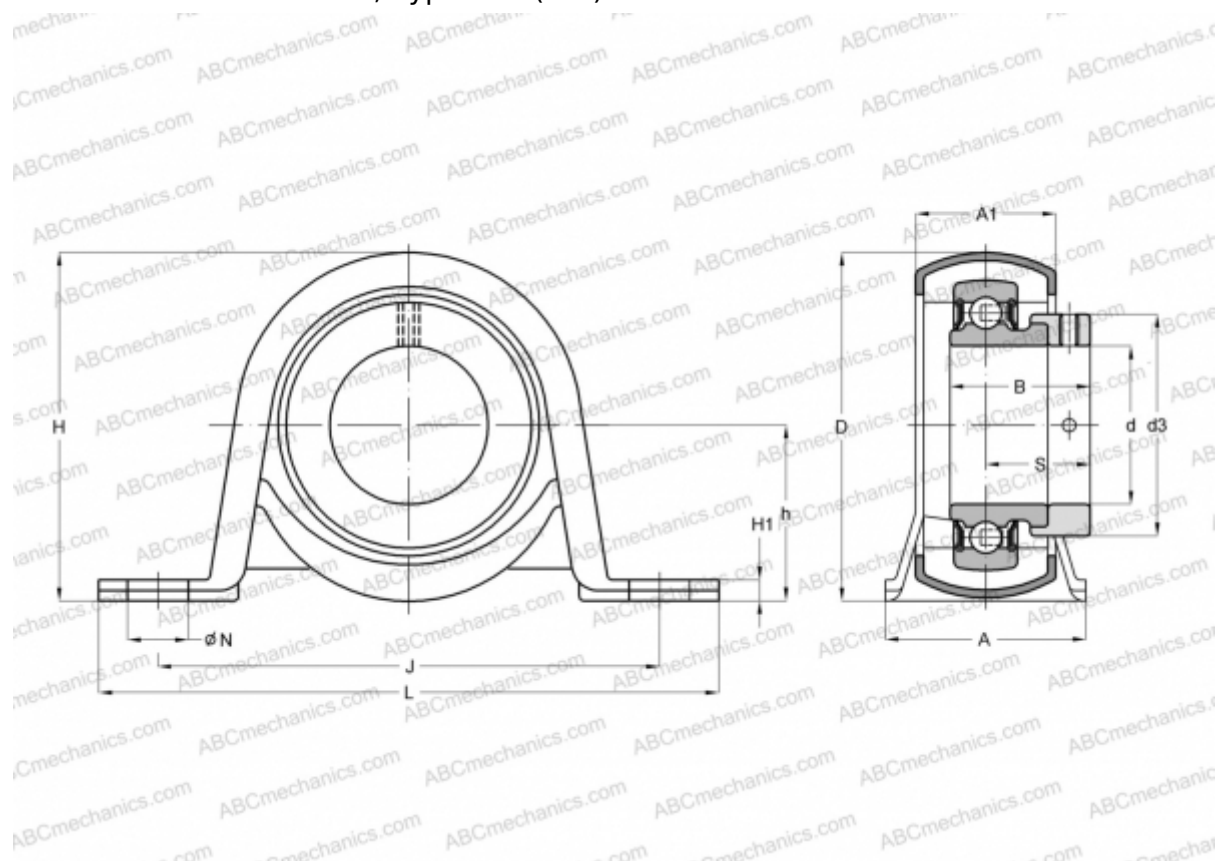


RPB15 INA

Ball bearing units

TYPE: Housing units, Plummer block, Sheet steel housing, Radial insert ball bearing with eccentric locking collar and rubber interliner, Type RPB (INA)



Technical specification

DIMENSIONS, MM

d	15,000
D	40,000
B	28,600
L	98,400
H	50,100
A	31,800
J	76,000
A1	22,300
H1	3,300
N	9,500
S	22,100
d3	28,000
h	25,400

Bearing	RAE15-NPP-B
Housing	GEH47-

MANUFACTURER

BT+GRG.RABR40/47
[INA](#)

CALCULATION DATA

Basic dynamic load rating, C	9,800 kN
Basic static load rating, Co	4,750 kN

WEIGHT, KG 0,230