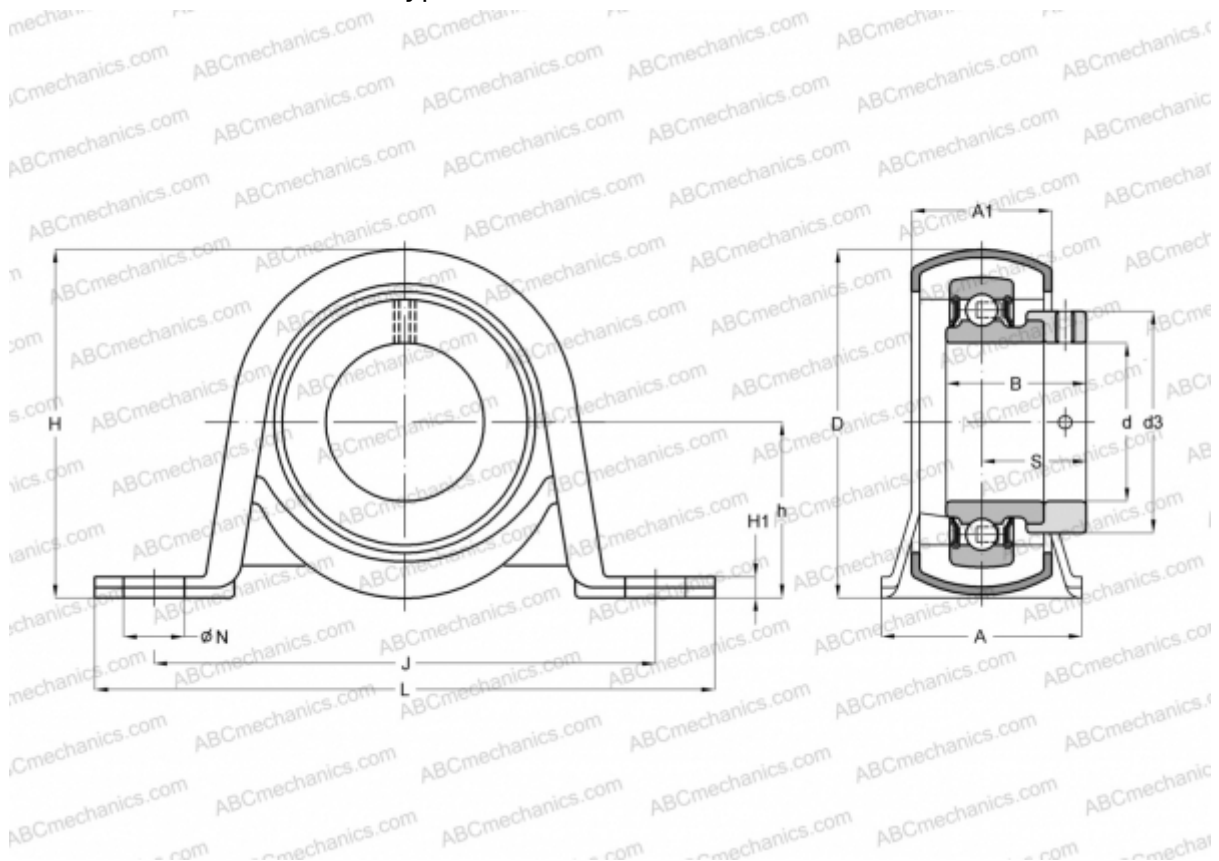


## RPB17 INA

Ball bearing units

TYPE: Housing units, Plummer block, Sheet steel housing, Radial insert ball bearing with eccentric locking collar and rubber interliner, Type RPB (INA)



### Technical specification

#### DIMENSIONS, MM

d	17,000
D	40,000
B	28,600
L	98,400
H	50,100
A	31,800
J	76,000
A1	22,300
H1	3,300
N	9,500
S	22,100
d3	28,000
h	25,400

Bearing	RAE17-NPP-B
Housing	GEH47-

#### MANUFACTURER

BT+GRG.RABR40/47  
[INA](#)

#### CALCULATION DATA

Basic dynamic load rating, C	9,800 kN
Basic static load rating, Co	4,750 kN

**WEIGHT, KG** 0,230