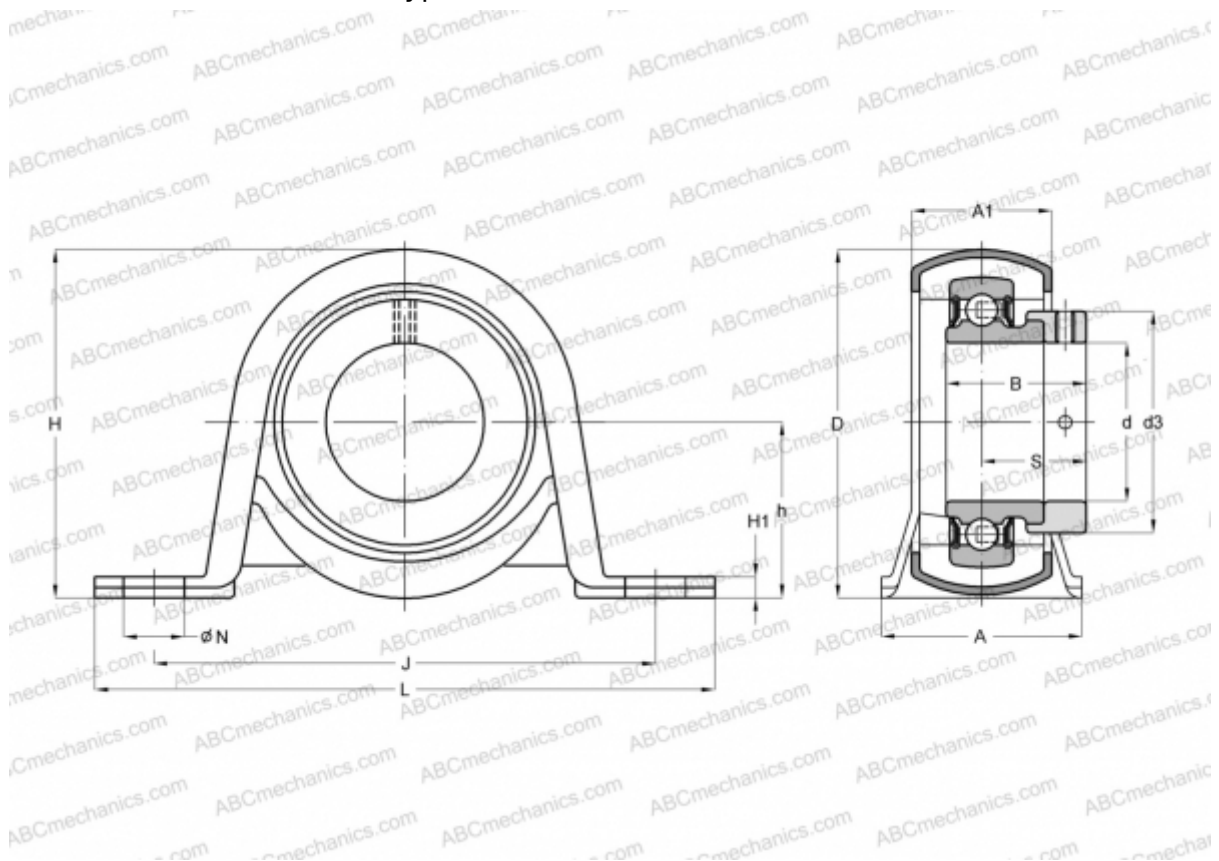


## RPB20 INA

Ball bearing units

TYPE: Housing units, Plummer block, Sheet steel housing, Radial insert ball bearing with eccentric locking collar and rubber interliner, Type RPB (INA)



### Technical specification

#### DIMENSIONS, MM

d	20,000
D	47,000
B	31,000
L	108,000
H	56,500
A	31,800
J	86,000
A1	23,500
H1	4,000
N	11,500
S	23,500
d3	33,000
h	28,600

Bearing	RAE20-NPP-B
Housing	GEH52-

**MANUFACTURER** BT+GRG.RABR47/52-INA AH01

#### CALCULATION DATA

Basic dynamic load rating, C	12,800 kN
Basic static load rating, Co	6,600 kN

**WEIGHT, KG** 0,280