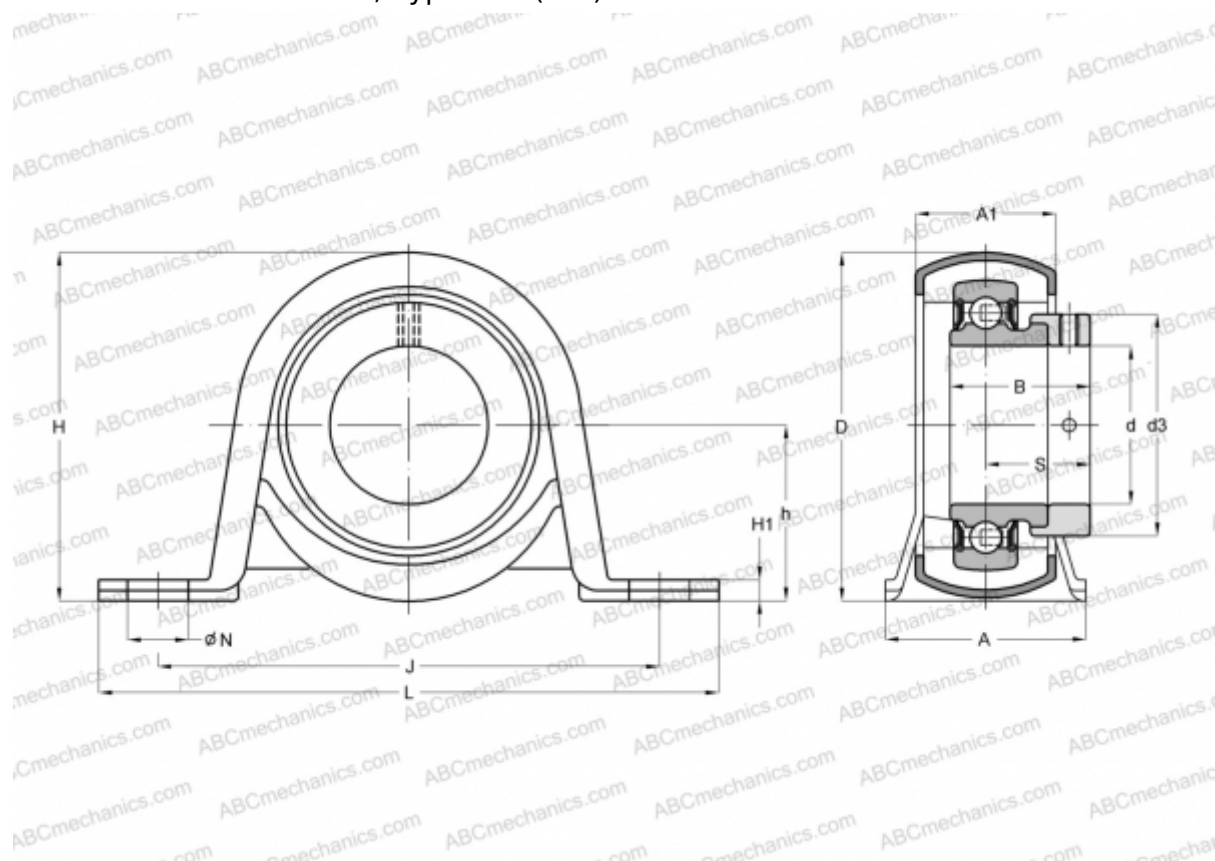


RPB25 INA

Ball bearing units

TYPE: Housing units, Plummer block, Sheet steel housing, Radial insert ball bearing with eccentric locking collar and rubber interliner, Type RPB (INA)



Technical specification

DIMENSIONS, MM

d	25,000
D	52,000
B	31,000
L	117,500
H	66,100
A	38,000
J	95,000
A1	26,500
H1	4,000
N	11,500
S	23,500
d3	37,500
h	33,300

Bearing	RAE25-NPP-B
Housing	GEH62-

MANUFACTURER

BT+GRG.RABR52/62-
INA
AH01

CALCULATION DATA

Basic dynamic load rating, C	14,000 kN
Basic static load rating, Co	7,800 kN

WEIGHT, KG 0,380