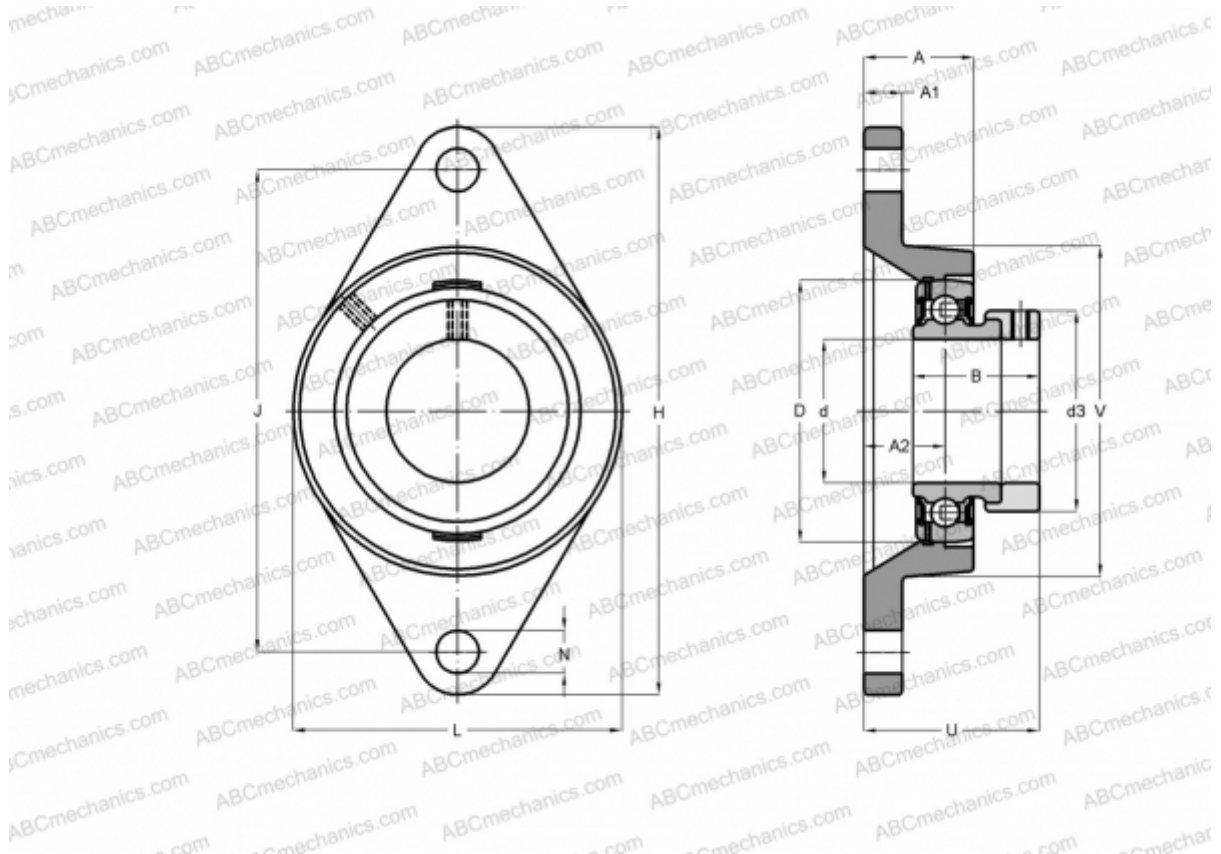


## PCJT30-N INA

Ball bearing units

TYPE: Housing units, Two-bolt flanged housing units, Cast iron housing, Radial insert ball bearing with eccentric locking collar, Type PCJT (INA)



### Technical specification

#### DIMENSIONS, MM

d	30,000
D	62,000
B	35,800
L	80,000
H	142,000
A	29,000
J	116,500
A1	12,000
A2	20,000
N	11,500
d3	44,000
U	46,700
V	80,000
Q	Rp1/8

#### WEIGHT, KG

Bearing	0,810
Housing	GRAE30-NPP-B
Protective cover	GG.CJT06-N
	KASK06

#### MANUFACTURER

[INA](#)

#### CALCULATION DATA

Basic dynamic load rating, C	19,500 kN
Basic static load rating, Co	11,300 kN