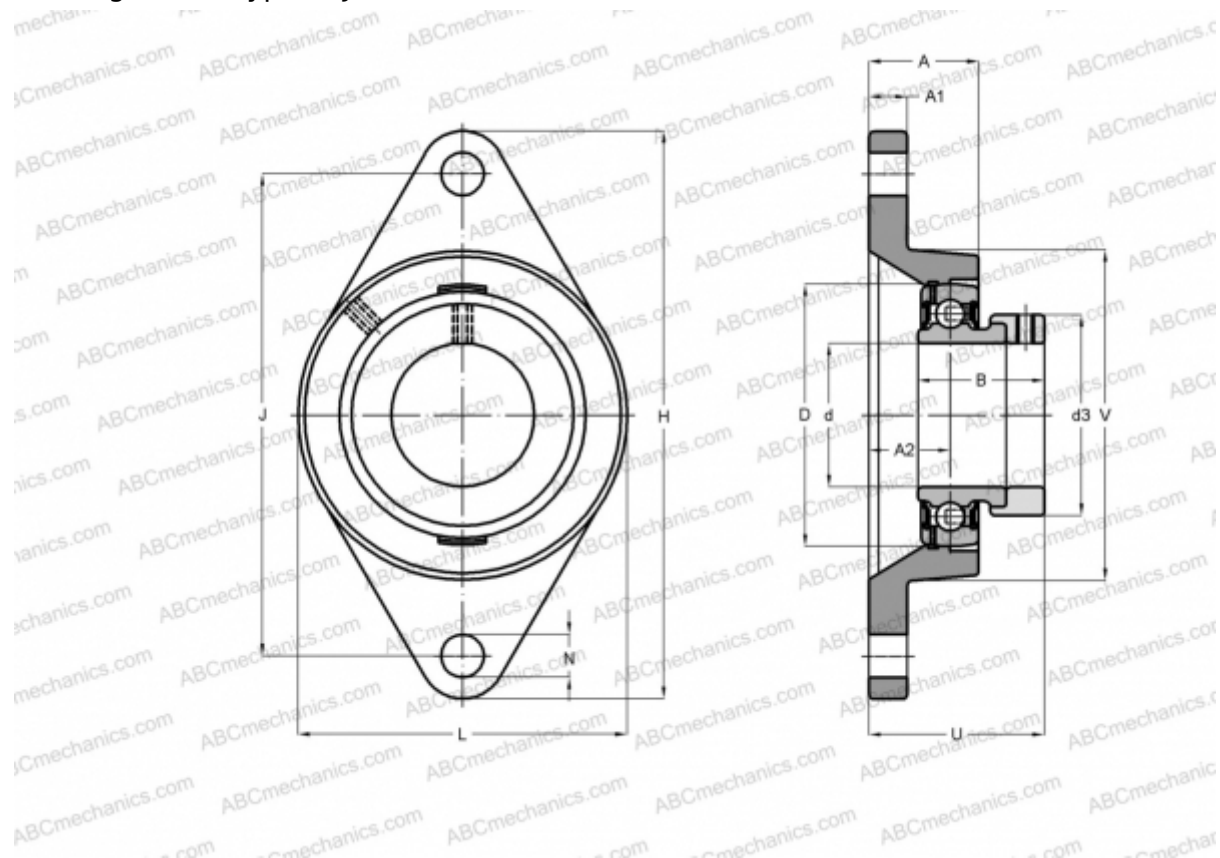


PCJT60-N INA

Ball bearing units

TYPE: Housing units, Two-bolt flanged housing units, Cast iron housing, Radial insert ball bearing with eccentric locking collar, Type PCJT (INA)



Technical specification

DIMENSIONS, MM

d	60,000
D	110,000
B	53,100
L	138,000
H	238,000
A	46,000
J	202,000
A1	16,000
A2	34,000
N	18,000
d3	84,000
U	73,600
V	138,000
Q	Rp1/8

WEIGHT, KG

3,250

Bearing GRAE60-NPP-B

Housing GG.CJT12-N

Protective cover KASK12

MANUFACTURER

[INA](#)

CALCULATION DATA

Basic dynamic load rating, C 52,000 kN

Basic static load rating, Co 36,000 kN