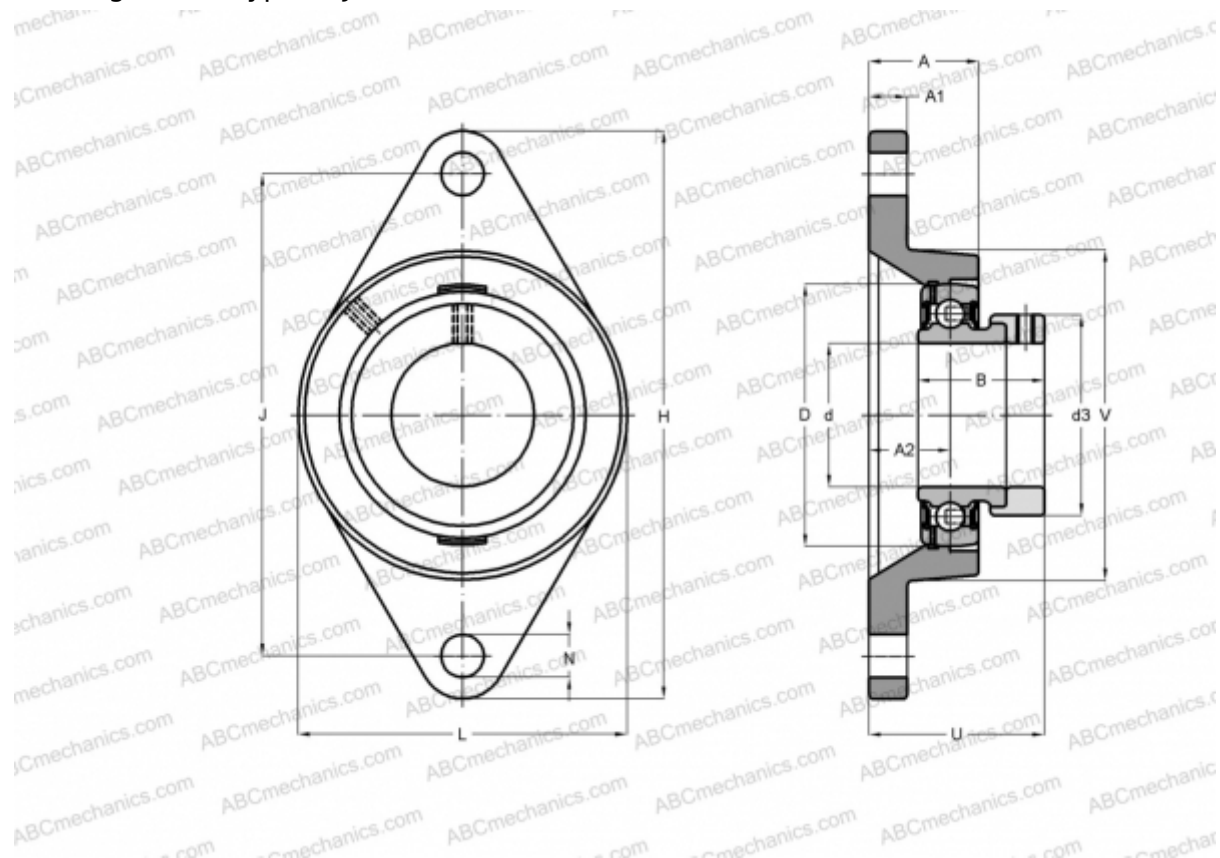


## PCJT30-N-FA125 INA

Ball bearing units

TYPE: Housing units, Two-bolt flanged housing units, Cast iron housing, Radial insert ball bearing with eccentric locking collar, Type PCJT (INA), coated with CORROTECT



### Technical specification

#### DIMENSIONS, MM

|    |         |
|----|---------|
| d  | 30,000  |
| D  | 62,000  |
| B  | 35,800  |
| L  | 80,000  |
| H  | 142,000 |
| A  | 29,000  |
| J  | 116,500 |
| A1 | 12,000  |
| A2 | 20,000  |
| N  | 11,500  |
| d3 | 44,000  |
| U  | 46,700  |
| V  | 80,000  |
| Q  | Rp1/8   |

#### WEIGHT, KG

0,810

|                  |               |
|------------------|---------------|
| Bearing          | GRAE30-NPP-B- |
| Housing          | GG.CJT06-N-   |
| Protective cover | FA12506       |

#### MANUFACTURER

[INA](#)

#### CALCULATION DATA

|                              |           |
|------------------------------|-----------|
| Basic dynamic load rating, C | 19,500 kN |
| Basic static load rating, Co | 11,300 kN |