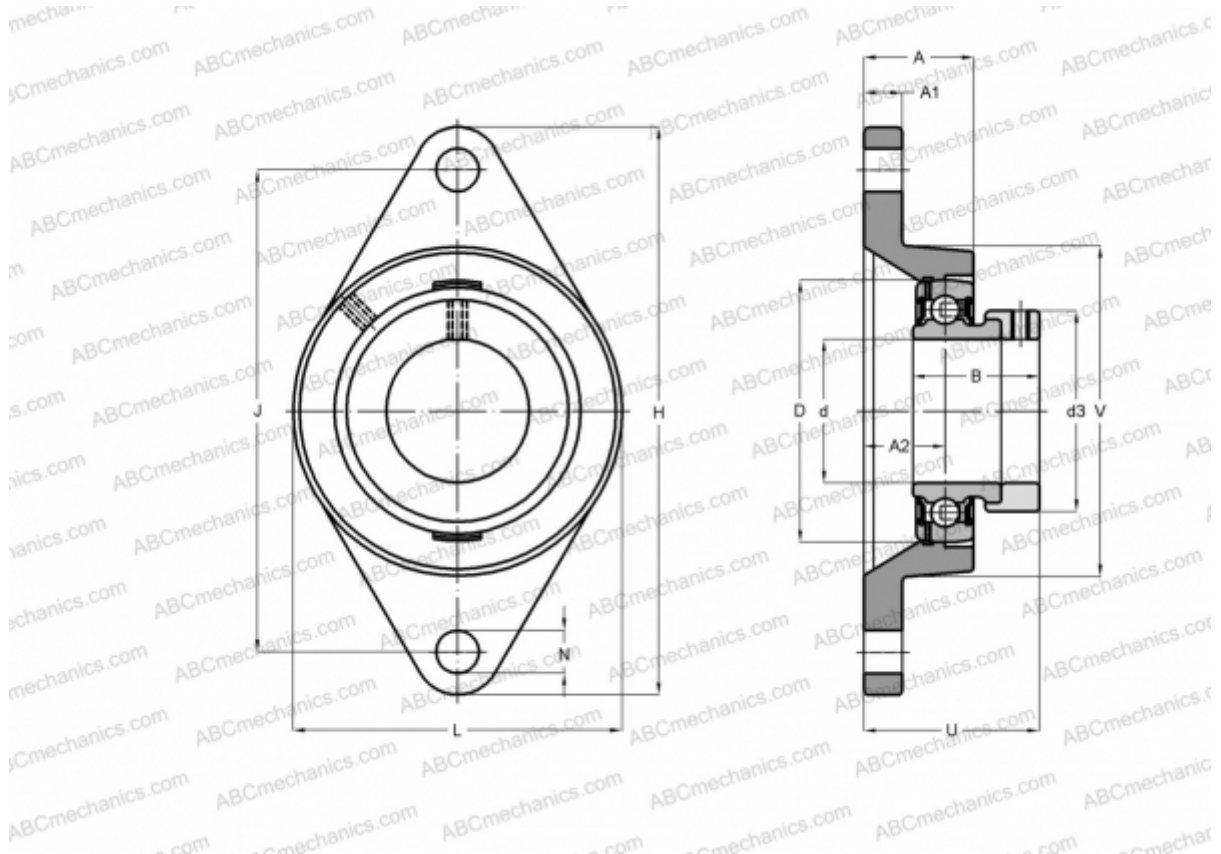


PCJT35-N-FA125 INA

Ball bearing units

TYPE: Housing units, Two-bolt flanged housing units, Cast iron housing, Radial insert ball bearing with eccentric locking collar, Type PCJT (INA), coated with CORROTECT



Technical specification

DIMENSIONS, MM

d	35,000
D	72,000
B	39,000
L	92,000
H	155,000
A	30,500
J	130,000
A1	12,500
A2	21,000
N	14,000
d3	51,000
U	50,500
V	92,000
Q	Rp1/8

WEIGHT, KG

Bearing	1,130
Housing	GRAE35-NPP-B-
Protective cover	GG.CJT07-N- FA125

MANUFACTURER

[INA](#)

CALCULATION DATA

Basic dynamic load rating, C	25,500 kN
Basic static load rating, Co	15,300 kN