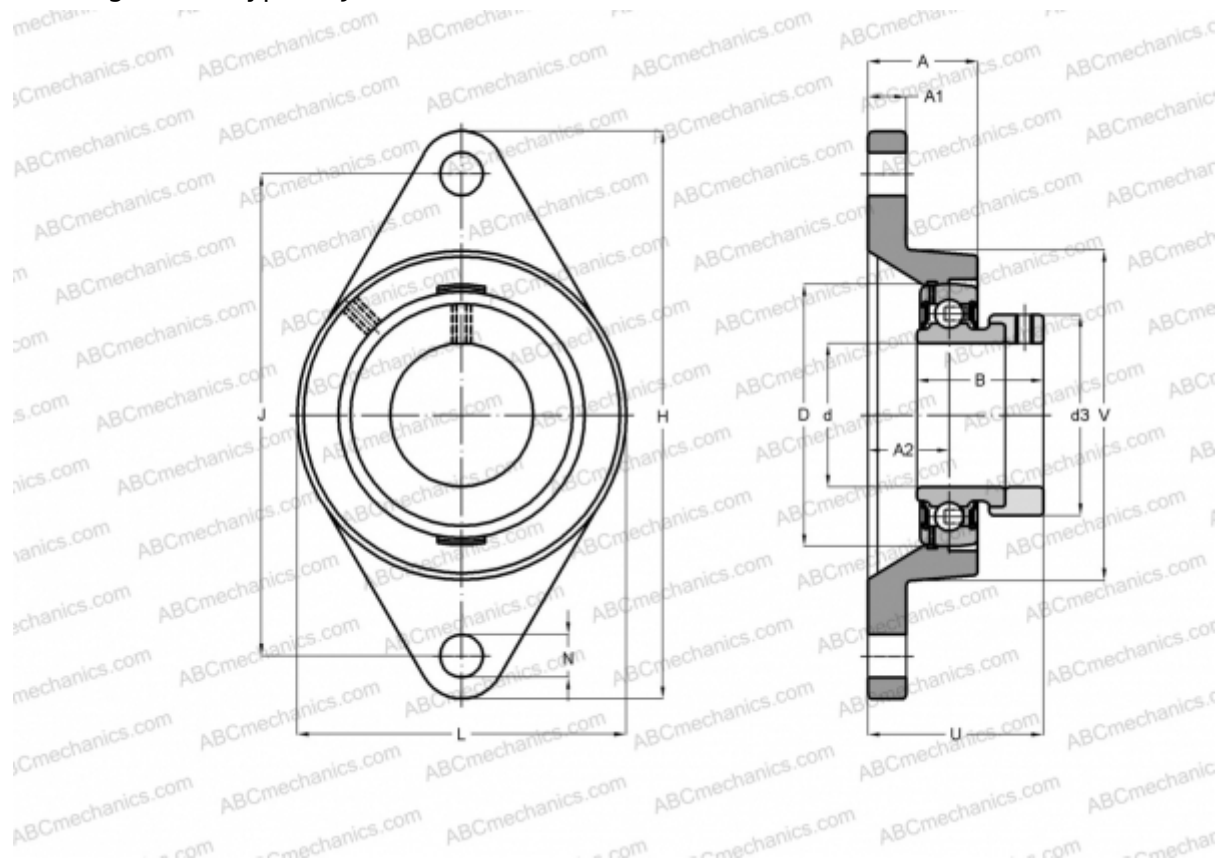


PCJT40-N-FA125 INA

Ball bearing units

TYPE: Housing units, Two-bolt flanged housing units, Cast iron housing, Radial insert ball bearing with eccentric locking collar, Type PCJT (INA), coated with CORROTECT



Technical specification

DIMENSIONS, MM

d	40,000
D	80,000
B	43,800
L	105,000
H	172,000
A	34,500
J	143,500
A1	13,000
A2	24,000
N	14,000
d3	58,000
U	56,700
V	105,000
Q	Rp1/8

WEIGHT, KG

1,540

Bearing	GRAE40-NPP-B-
Housing	GG.CJT08-N-
Protective cover	FA125-B

MANUFACTURER

[INA](#)

CALCULATION DATA

Basic dynamic load rating, C	32,500 kN
Basic static load rating, Co	19,800 kN