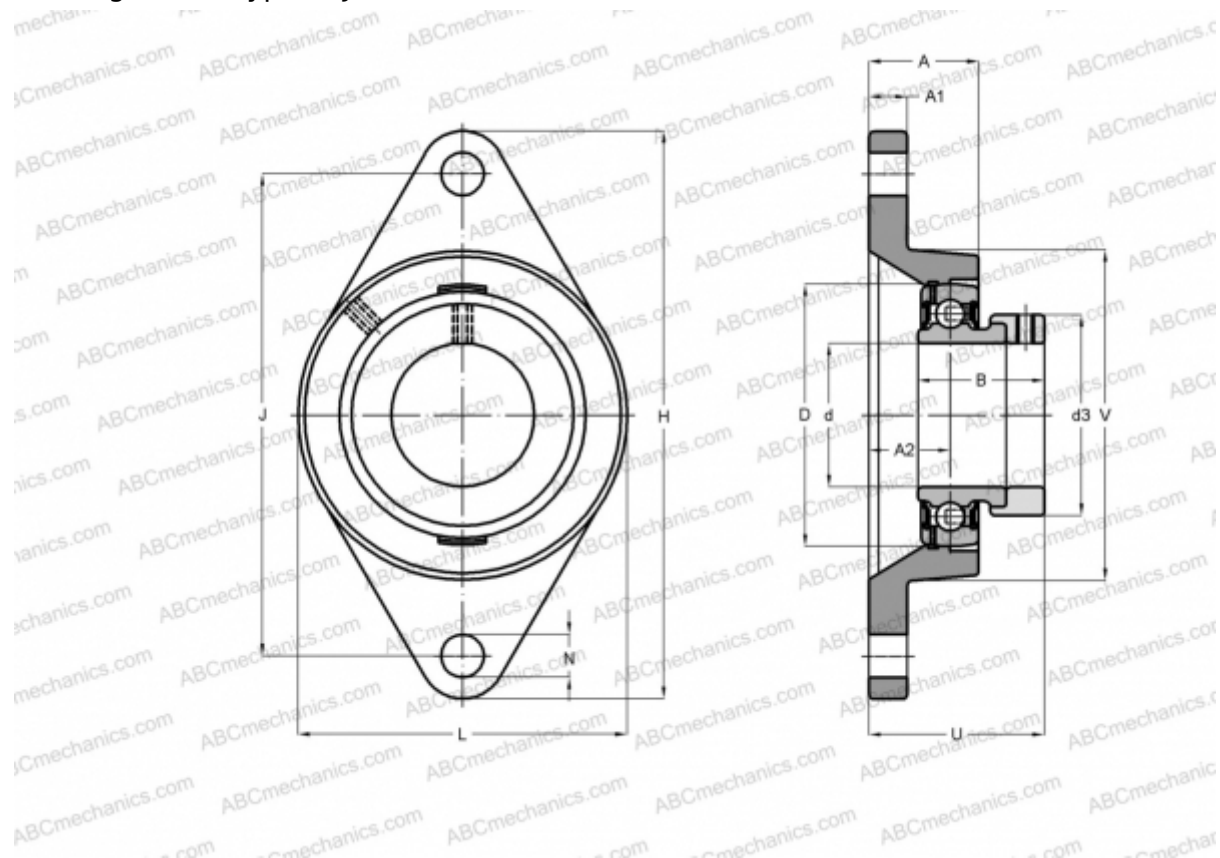


## PCJT60-N-FA125 INA

Ball bearing units

TYPE: Housing units, Two-bolt flanged housing units, Cast iron housing, Radial insert ball bearing with eccentric locking collar, Type PCJT (INA), coated with CORROTECT



### Technical specification

#### DIMENSIONS, MM

d	60,000
D	110,000
B	53,100
L	138,000
H	238,000
A	46,000
J	202,000
A1	16,000
A2	34,000
N	18,000
d3	84,000
U	73,600
V	138,000
Q	Rp1/8

#### WEIGHT, KG

3,250

Bearing	GRAE60-NPP-B-
Housing	GG.CJT12-N-
Protective cover	FA125L2

#### MANUFACTURER

[INA](#)

#### CALCULATION DATA

Basic dynamic load rating, C	52,000 kN
Basic static load rating, Co	36,000 kN