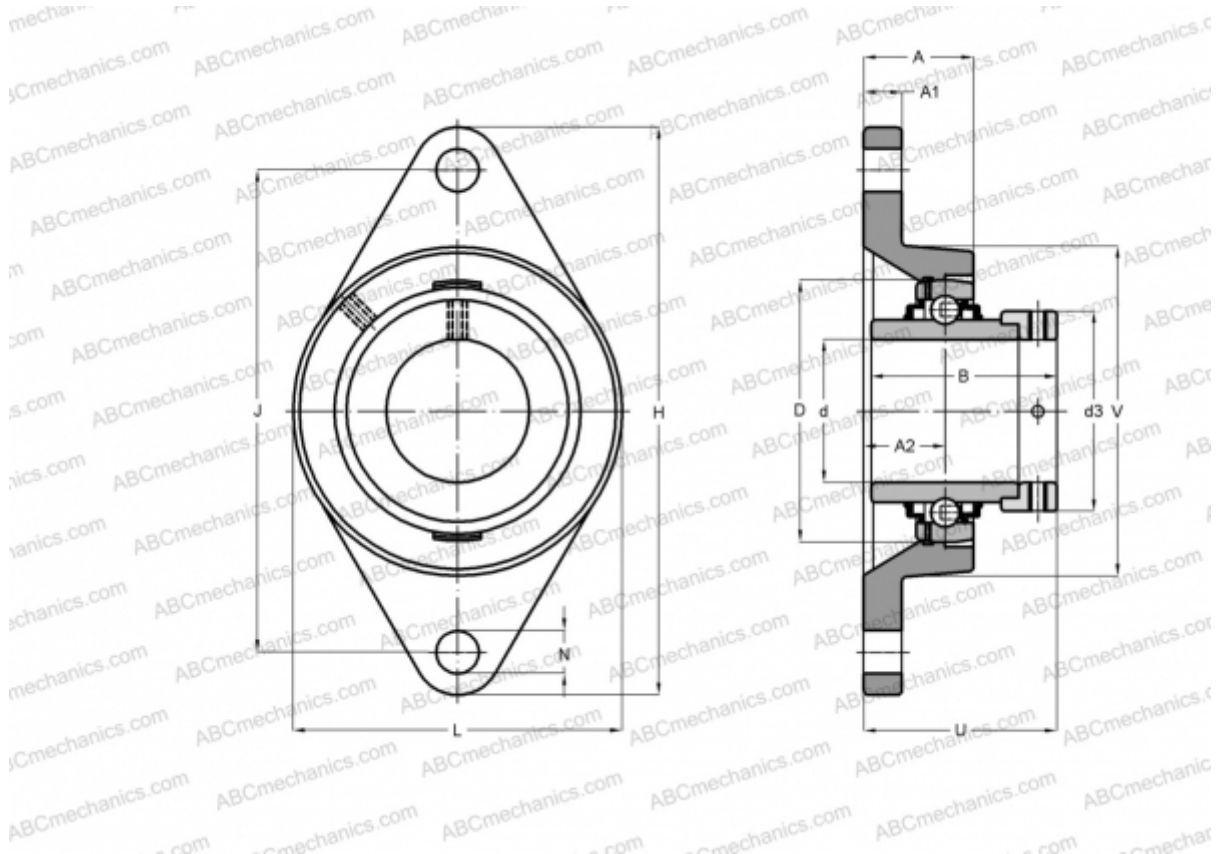


## RCJT55 INA

Ball bearing units

TYPE: Housing units, Two-bolt flanged housing units, Cast iron housing, Radial insert ball bearing with eccentric locking collar, Type RCJT (INA)



### Technical specification

#### DIMENSIONS, MM

d	55,000
D	100,000
B	71,400
L	134,000
H	222,000
A	43,500
J	184,000
A1	15,000
A2	31,000
N	18,000
d3	76,000
U	74,600
V	134,000
Q	Rp1/8

#### WEIGHT, KG

	2,920
Bearing	GE55-KRR-B
Housing	GG.CJT11

#### MANUFACTURER

[INA](#)

#### CALCULATION DATA

Basic dynamic load rating, C	43,500 kN
Basic static load rating, Co	29,000 kN