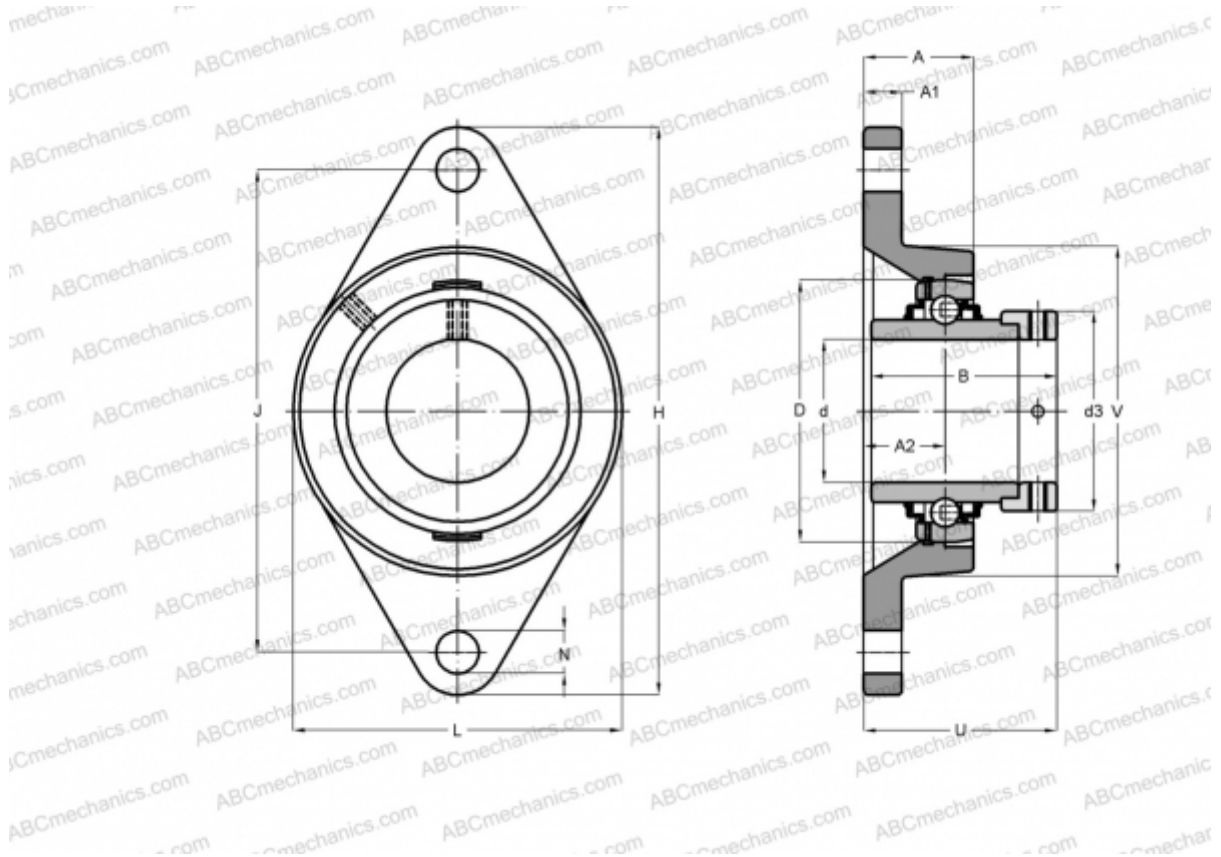


## RCJT60-N INA

Ball bearing units

TYPE: Housing units, Two-bolt flanged housing units, Cast iron housing, Radial insert ball bearing with eccentric locking collar, Type RCJT (INA)



### Technical specification

#### DIMENSIONS, MM

d	60,000
D	110,000
B	77,900
L	138,000
H	238,000
A	46,000
J	202,000
A1	16,000
A2	34,000
N	18,000
d3	84,000
U	80,800
V	138,000
Q	Rp1/8

#### WEIGHT, KG

	3,690
Bearing	GE60-KRR-B
Housing	GG.CJT12-N
Protective cover	KASK12

#### MANUFACTURER

[INA](#)

#### CALCULATION DATA

Basic dynamic load rating, C	52,000 kN
Basic static load rating, Co	36,000 kN