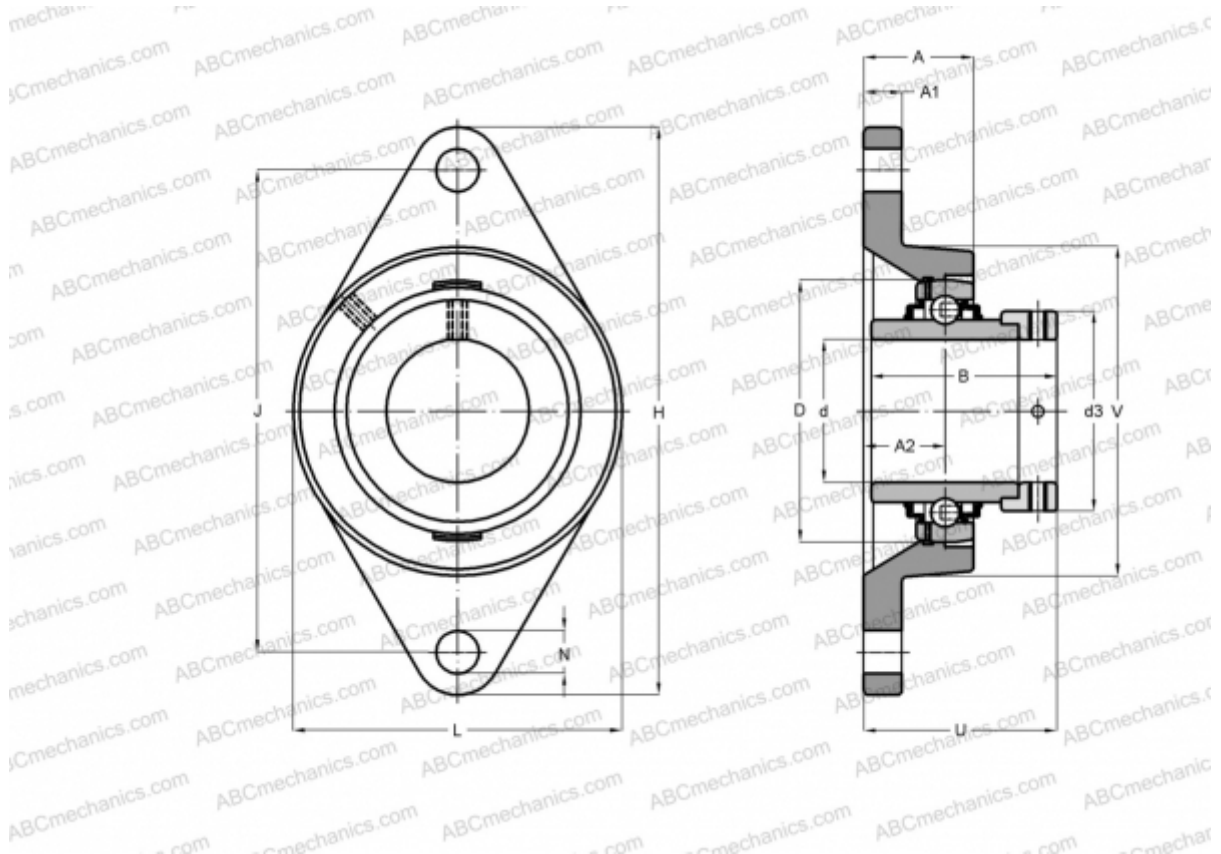


## RCJT70 INA

Ball bearing units

TYPE: Housing units, Two-bolt flanged housing units, Cast iron housing, Radial insert ball bearing with eccentric locking collar, Type RCJT (INA)



### Technical specification

#### DIMENSIONS, MM

d	70,000
D	125,000
B	66,000
L	160,000
H	258,000
A	57,000
J	216,000
A1	18,000
A2	38,000
N	21,000
d3	96,000
U	82,600
V	160,000
Q	Rp1/8

#### WEIGHT, KG

	6,150
Bearing	GE70-KRR-B
Housing	GG.CJT13/14

#### MANUFACTURER

[INA](#)

#### CALCULATION DATA

Basic dynamic load rating, C	62,000 kN
Basic static load rating, Co	44,000 kN