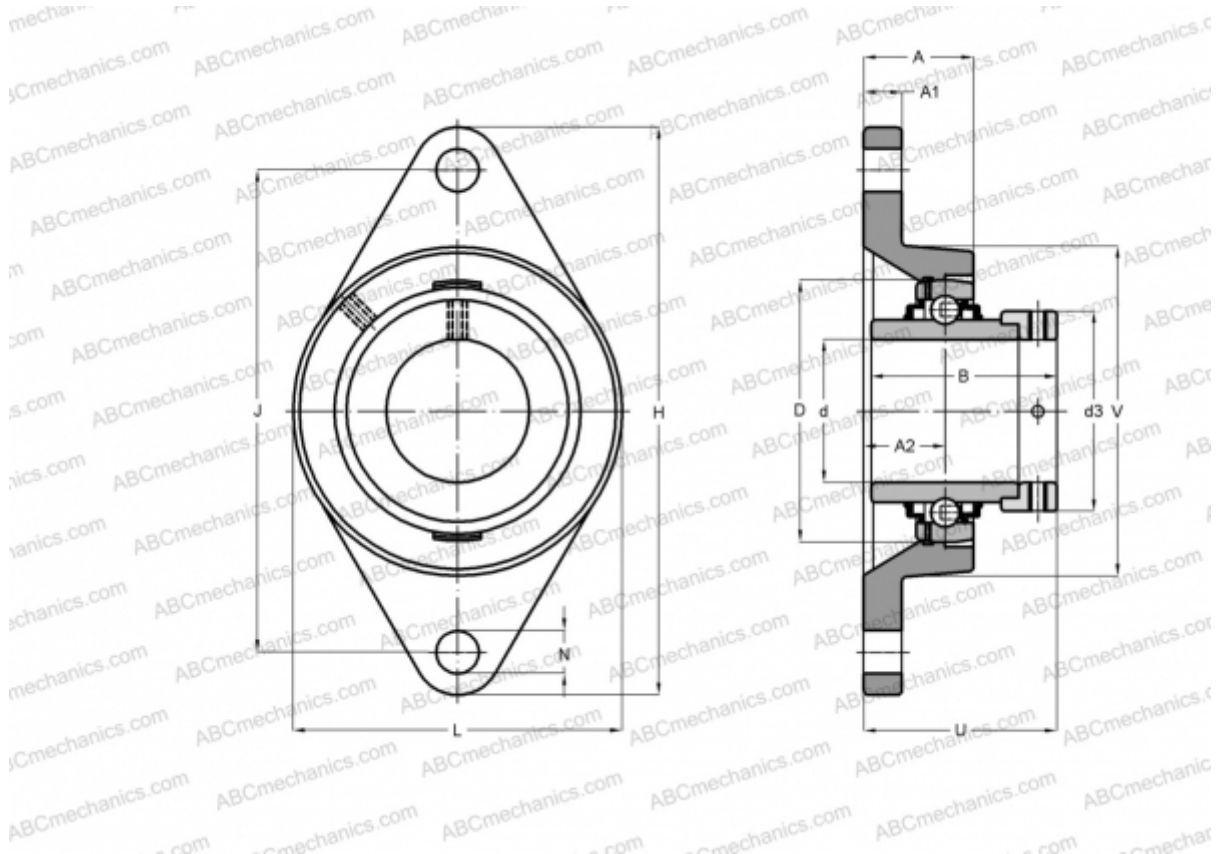


## RCJT40-N-FA125 INA

Ball bearing units

TYPE: Housing units, Two-bolt flanged housing units, Cast iron housing, Radial insert ball bearing with eccentric locking collar, Type RCJT (INA), coated with CORROTECT



### Technical specification

#### DIMENSIONS, MM

d	40,000
D	80,000
B	56,500
L	105,000
H	172,000
A	34,500
J	143,500
A1	13,000
A2	24,000
N	14,000
d3	58,000
U	59,100
V	105,000
Q	Rp1/8

#### WEIGHT, KG

	1,660
Bearing	GE40-KRR-B-
Housing	GG.CJT08-N-
Protective cover	FA125-B

#### MANUFACTURER

[INA](#)

#### CALCULATION DATA

Basic dynamic load rating, C	32,500 kN
Basic static load rating, Co	19,800 kN