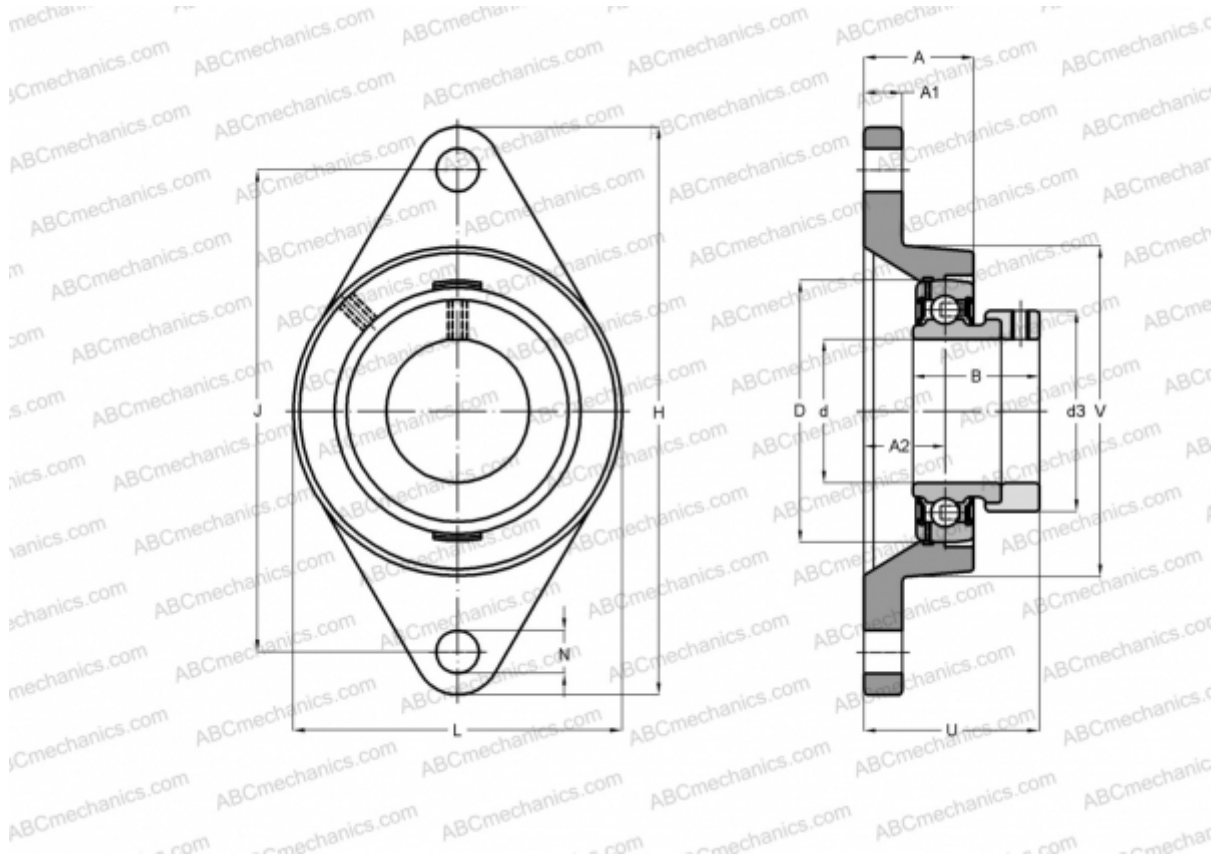


## PCFT25 INA

Ball bearing units

TYPE: Housing units, Two-bolt flanged housing units, Cast iron housing, Radial insert ball bearing with eccentric locking collar, Type PCFT (INA)



### Technical specification

#### DIMENSIONS, MM

d	25,000
D	52,000
B	31,000
L	70,000
H	124,000
A	20,000
J	99,000
A1	11,000
A2	12,500
N	11,500
d3	37,500
U	36,000
V	70,000
Q	Rp1/8

#### WEIGHT, KG

0,520

Bearing

GRAE25-NPP-B

Housing

GG.CFT05

#### MANUFACTURER

[INA](#)

#### CALCULATION DATA

Basic dynamic load rating, C	14,000 kN
Basic static load rating, Co	7,800 kN