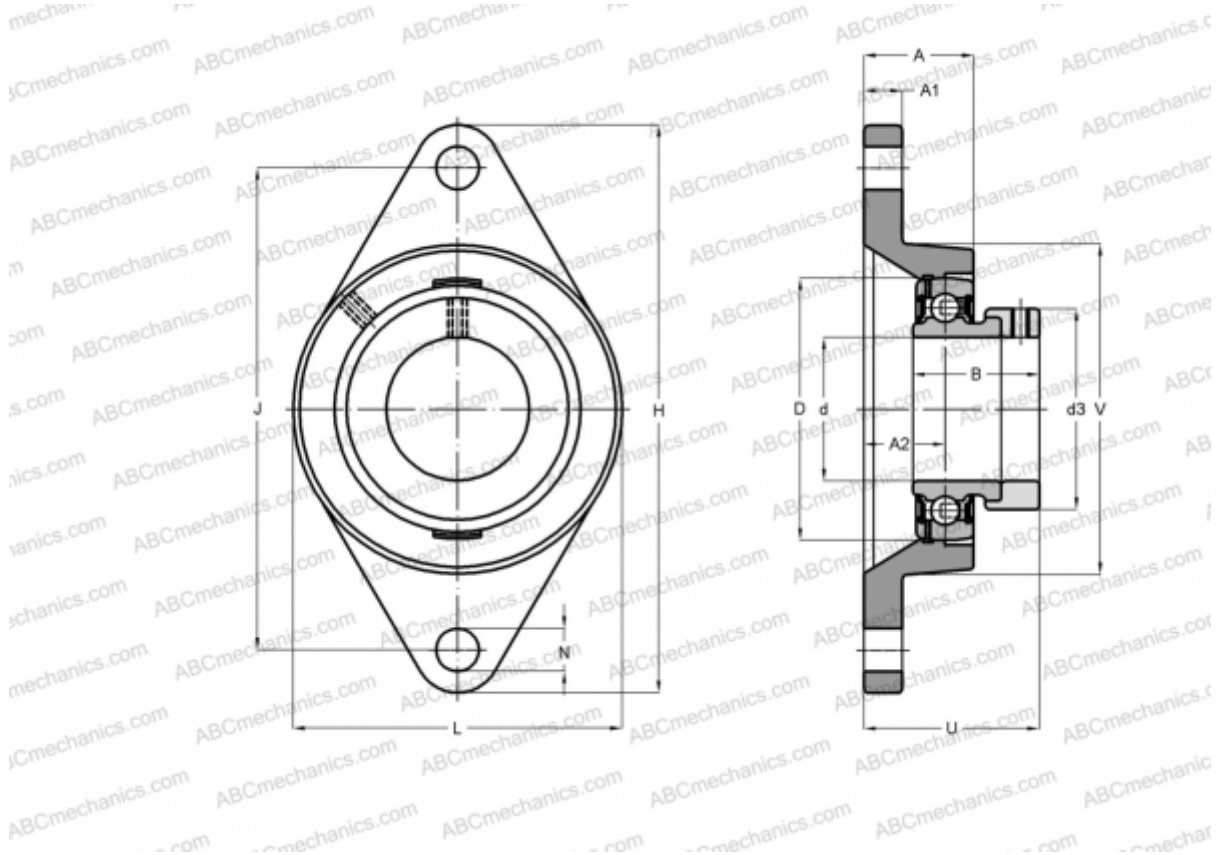


PCFT40 INA

Ball bearing units

TYPE: Housing units, Two-bolt flanged housing units, Cast iron housing, Radial insert ball bearing with eccentric locking collar, Type PCFT (INA)



Technical specification

DIMENSIONS, MM

| | |
|----|---------|
| d | 40,000 |
| D | 80,000 |
| B | 43,800 |
| L | 105,000 |
| H | 172,000 |
| A | 28,800 |
| J | 143,500 |
| A1 | 13,000 |
| A2 | 18,300 |
| N | 14,000 |
| d3 | 58,000 |
| U | 51,000 |
| V | 105,000 |
| Q | Rp1/8 |

WEIGHT, KG

| | |
|---------|--------------|
| | 1,420 |
| Bearing | GRAE40-NPP-B |
| Housing | GG.CFT08 |

MANUFACTURER

[INA](#)

CALCULATION DATA

| | |
|------------------------------|-----------|
| Basic dynamic load rating, C | 32,500 kN |
| Basic static load rating, Co | 19,800 kN |