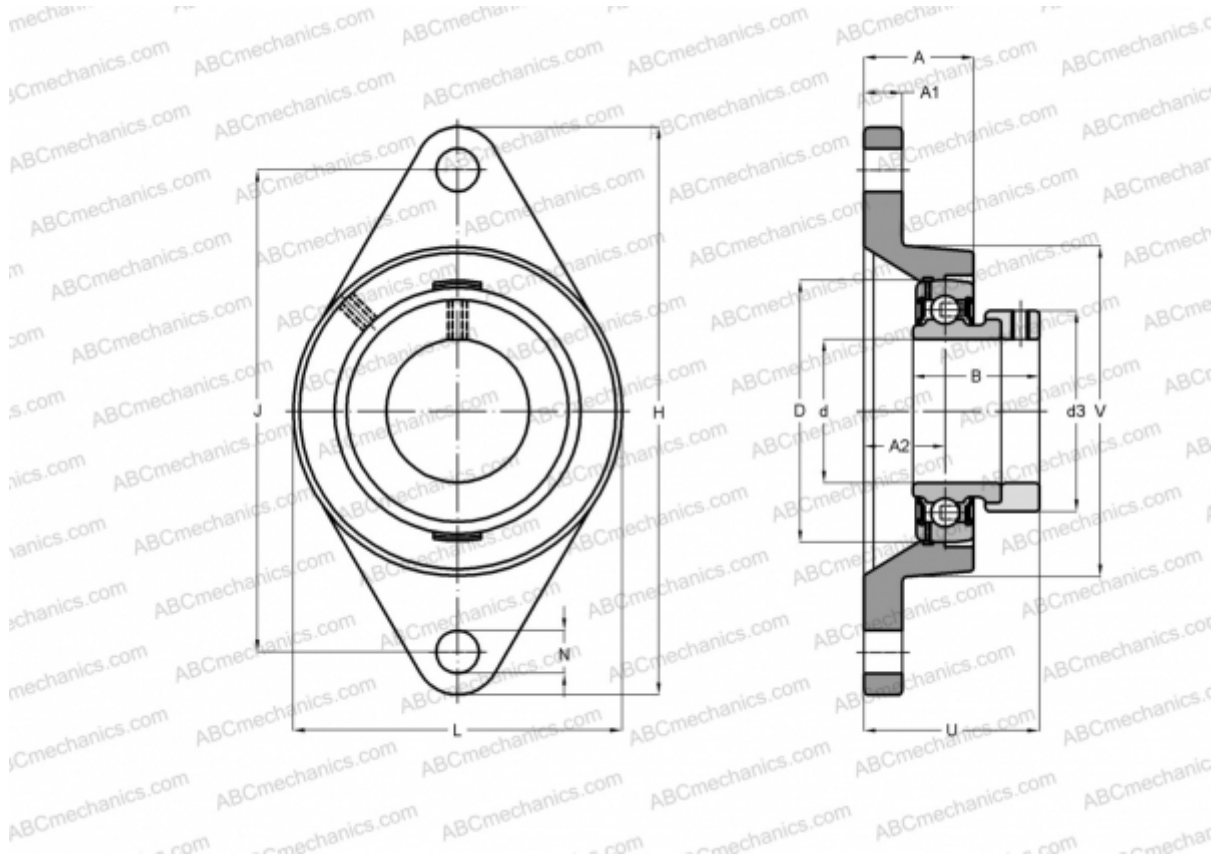


PCFT50 INA

Ball bearing units

TYPE: Housing units, Two-bolt flanged housing units, Cast iron housing, Radial insert ball bearing with eccentric locking collar, Type PCFT (INA)



Technical specification

DIMENSIONS, MM

d	50,000
D	90,000
B	43,800
L	116,000
H	190,000
A	30,200
J	157,000
A1	13,000
A2	19,200
N	14,000
d3	69,000
U	51,900
V	116,000
Q	Rp1/8

WEIGHT, KG

1,820

Bearing

GRAE50-NPP-B

Housing

GG.CFT10

MANUFACTURER

[INA](#)

CALCULATION DATA

Basic dynamic load rating, C	35,000 kN
Basic static load rating, Co	23,200 kN