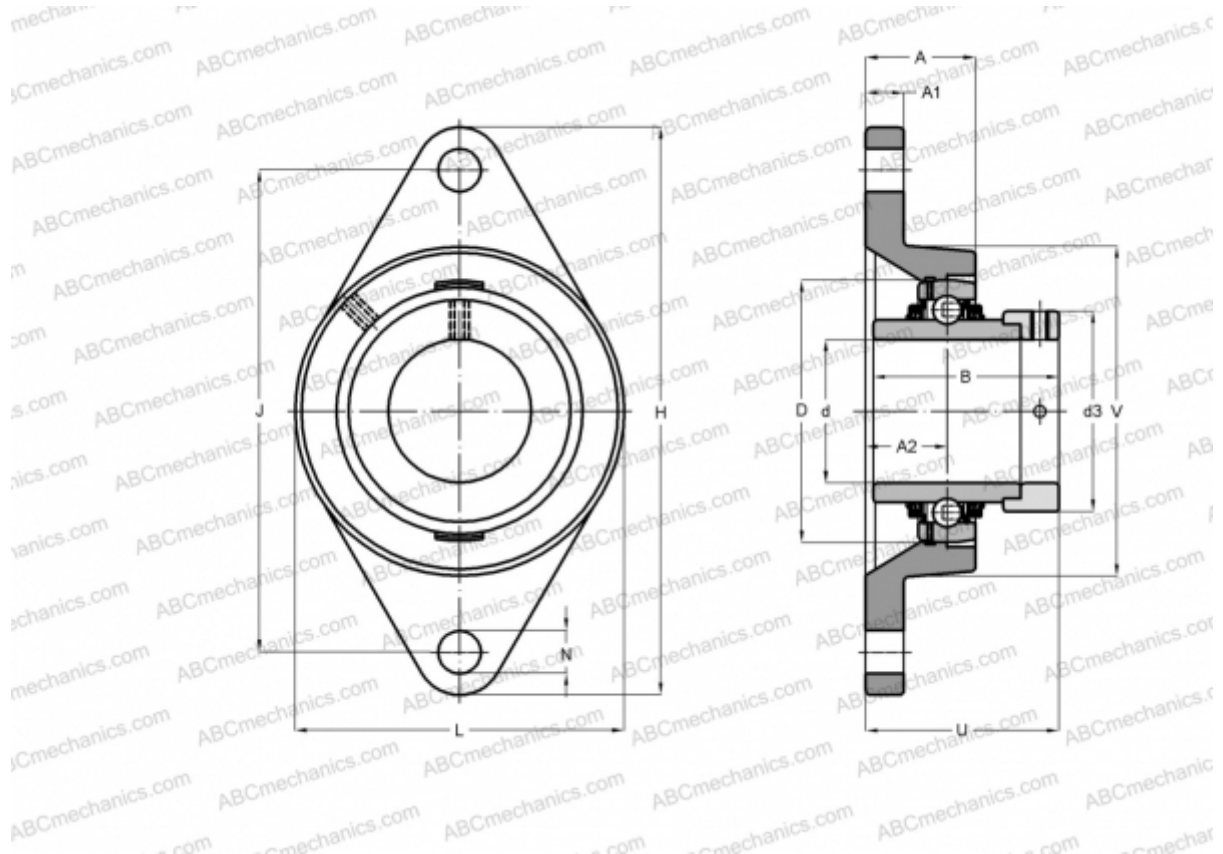


TCJT25-N INA

Ball bearing units

TYPE: Housing units, Two-bolt flanged housing units, Cast iron housing, Radial insert ball bearing with eccentric locking collar, Type TCJT (INA)



Technical specification

DIMENSIONS, MM

| | |
|----|---------|
| d | 25,000 |
| D | 52,000 |
| B | 44,500 |
| L | 70,000 |
| H | 124,000 |
| A | 26,500 |
| J | 99,000 |
| A1 | 11,000 |
| A2 | 19,000 |
| N | 11,500 |
| d3 | 37,500 |
| U | 46,000 |
| V | 70,000 |
| Q | Rp1/8 |

WEIGHT, KG

| | |
|------------------|------------|
| | 0,640 |
| Bearing | GE25-KTT-B |
| Housing | GG.CJT05-N |
| Protective cover | KASK05 |

MANUFACTURER

[INA](#)

CALCULATION DATA

| | |
|------------------------------|-----------|
| Basic dynamic load rating, C | 14,000 kN |
| Basic static load rating, Co | 7,800 kN |